

# **FAN7**

**User Manual •**

**English 3-7**

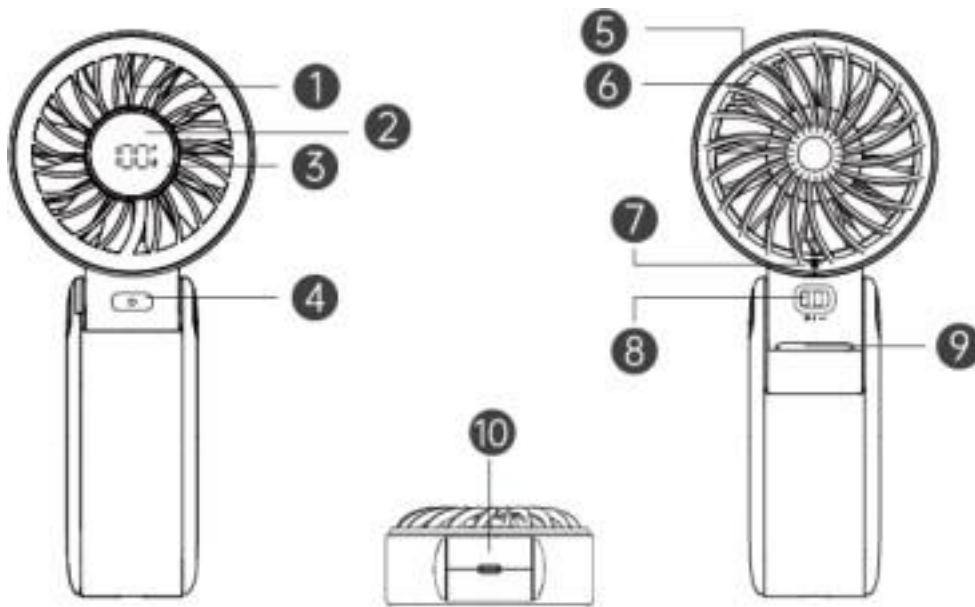
Dear customer,

Thank you for purchasing our product. Please read the following instructions carefully before first use and keep this user manual for future reference. Pay particular attention to the safety instructions. If you have any questions or comments about the device, please visit our customer support page: [www.alza.cz/EN/kontakt](http://www.alza.cz/EN/kontakt).

Importer Alza.cz a.s., Jankovcova 1522/53, Holešovice, 170 00 Prague 7, [www.alza.cz](http://www.alza.cz)

Please read this manual carefully before use. Be sure to use it in strict accordance with the requirements of the manual and keep the manual properly for future use.

## Appearance Description



1. Air outlet
2. Display screen
3. Fan speed/power percentage
4. Power/Speed Button
5. Rear cover (removable)
6. Air inlet
7. Screws
8. Toggle Switch
9. Anti-skid pad
10. Type-C input port

# Precautions Before Use

- Please check the product and power cord for any damage and make sure they are in good condition and assemble them according to the instructions before powering them on.
- Before charging the product, please check whether the voltage of the power supply used is consistent with the product label.
- Please do not disassemble, modify or repair the product to avoid electric shock and fire accidents, and ask the service station designated by the original seller or manufacturer for repair.

# Instructions for Use

## Power Switch/Speed Adjustment

Short press the On-Off Key to cycle through the five-speed fan settings and power off; long press at any speed to turn off.

## Display Screen Status



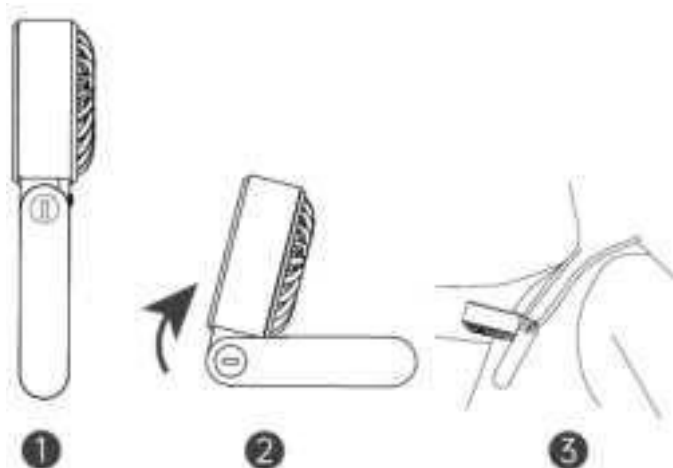
Operations/Status	Display Screen Content
Power On	Shows current battery level, switches to display fan speed after 5 seconds.
Adjusting Fan Speed	Displays current fan speed; switches back to charging display after 5 seconds during charging.
Battery Display	Power off state: Double-click the button to show the current battery level, extinguishes after 5 seconds. Power on state: Displays current battery level when turning on (switches to display current fan speed after 5 seconds); double-clicks to show current battery level when displaying fan speed (switches to display current fan speed after 5 seconds)
Unable to Start with Low Battery	Press the button, battery display shows 0%, battery icon flashes three times, then the screen extinguishes.
Low Battery Warning	When battery level is <10%, the battery icon continues to flash during fan speed mode, and the single-digit battery level and battery icon continue to flash during battery status mode.

Charging	Single-digit battery level continues to flash; when displaying fan speed, the battery icon continues to flash.
Fully Charged	Battery level 100% stays on, battery icon stays on, and extinguishes after disconnecting power input.

Friendly reminder: When the battery is less than 15%, any you are using it while charging, only the first fan speed is available.

### Fan Operation

1. Hold the handle for operation.
2. Rotate the mask to 100° and place it on the desktop for use.
3. Connect the fan to the hanging rope and wear it around the neck, directing the airflow towards the head and neck.

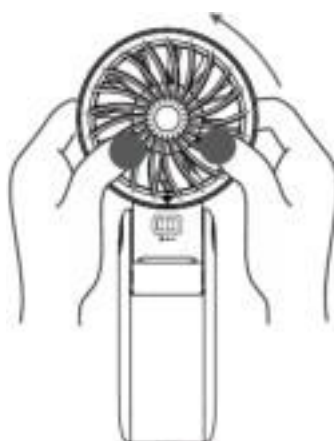


### How to Clean

Removing the Rear Cover

Note: Before removing the rear cover, please turn off the power until the fan completely stops working.

Use a screwdriver to unscrew the screws beneath the rear cover then rotate the rear cover counterclockwise until you hear a "click" sound to open it.

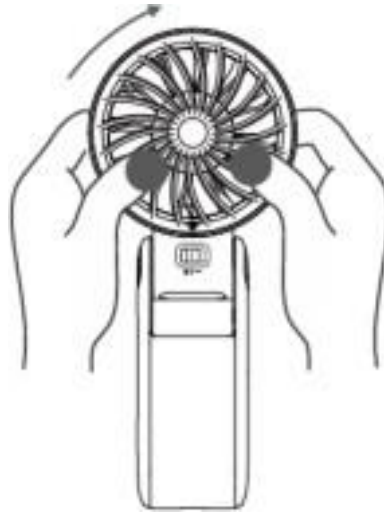


## Cleaning and Maintenance

1. Before cleaning the product, ensure that the power has been disconnected.
2. The rear cover can be cleaned with water, and the fan blades and mask can be wiped with a clean cloth. After cleaning the mask, rear cover, and fan blades, let them air-dry completely before reinstalling for use.
3. Do not use water or other liquids to clean electrical components (such as the motor, power switch, etc)
4. Avoid touching the power and electrical components with wet hands or a damp cloth.

## Installing the Rear Cover

Hold the edge of the rear cover crossbar, insert it vertically downwards, hold the rear cover frame with both hands, rotate clockwise until you hear a "click" sound, then use a screwdriver to screw in the screws beneath the rear cover to complete the operation.



## Product Specifications

<b>Brand</b>	JisuLife
<b>Product Name</b>	Handheld Fan FAN7
<b>Product Model</b>	Handheld Fan FAN7
<b>Input</b>	5V $\overline{\text{---}}$ 2.0A
<b>Battery Capacity</b>	3600mAh (13.32Wh/3.7V)
<b>Battery</b>	Lithium-ion Battery
<b>Charging Time</b>	4-5 hours
<b>Working Time</b>	3.5 – 19.5 hours (Depending On Different Gears / Usage Scenarios)
<b>Product Weight</b>	Approximately 220g

**Product Size**

84 x 42 x 193mm

## **Packing Accessories**

- Handheld Fan 7 x 1
- USB-C Charging Cable x 1
- Lanyard x 1
- Manual x 1

The content of this manual and the specifications of the product are subject to change without prior notice

