

USER MANUAL

Please be sure to read the "Safety Precautions" before use. Please keep this manual after reading for future reference.

IoT PURIFYING TRIPOD FAN U ULTTY BB





U L T T Y

TABLE OF CONTENTS

1. Intended use	04
2. Safety instructions	04
3. Device overview	06
3.1. Product features	06
3.2. Technical data	07
3.3. Packing list	07
4. Installing the fan	09
5. First operation	13
5.1. Touch control panel	13
5.2. Display screen	14
5.3. Remote control	15
5.4. APP control connection	18
5.5. Google home connection	20
6. Maintenance and Storage	22
7. Troubleshooting	23
8. Waste disposal	24
9. Conformity information	24
10. Warranty	26

1. Intended use

- The device uses to cool and filter the air in the home. It supports to improve brain function, slow down the skin aging process and improve overall health.
- Do not use the device outdoors. This device is used in private households and similar household applications such as: in kitchens for employees in shops, offices and other commercial areas; by customers in hotels, motels and other residential establishments;
- The device is not intended for commercial or industrial use.

Please note that the warranty liability expires in the event of improper use:

- Do not modify the device and try to fix it by yourself.
- Only use spare parts and accessories that have been supplied or approved by manufacturer.
- Observe all information in this instruction, especially the safety instructions. Any other improper operation can lead to personal injury or property damage.

2. Safety instructions

WARNING

To prevent fire, electric shock, and personal injury. Please be sure to comply with the following requirements. Please follow the relevant national and local electrical regulations.

- For IEC

This appliance is not intended for use by persons (including children) with reduced physical, sensory or mental capabilities, or lack of experience and knowledge, unless they have been given supervision or instruction concerning use of the appliance by a person responsible for their safety.

Children should be supervised to ensure that they do not play with the appliance.

For EUROPEAN market

This appliance can be used by children aged from 8 years and above and persons with reduced physical, sensory or mental capabilities or lack of experience and knowledge if they have been given supervision or instruction concerning use of the appliance in a safe way and understand the hazards involved. Cleaning and user maintenance shall not be made by children without supervision.

- Please use a separate outlet according to the current/voltage of the fan. Do not use a multi-purpose socket for simultaneous use with other electrical devices.
- If the fan does not work, please turn off the power and ask a qualified person for repair.
- Do not move the fan when it is connected to the power supply.
- Do not pull in/out the plug by pulling/dragging the cable, do not grip the cable.
- Do not operate the fan with a damaged cable or connector. Please contact customer service to replace or repair the cable if the cable is damaged.
- Do not stretch or energize the cable. Keep the cable away from the heat source.
- Do not run the cable under carpets, do not cover it with carpets or any other similar covers. Route the cable away from the walking area to avoid tripping over by the power cord.
- Turn off all controls before pulling the plug, and pull the plug out of the socket if you are not going to use the device for a long time.
- Do not place any objects on/cover the air inlet or outlet. Make sure that the ventilation openings are free of dust, lint, hair or any other obstacles that could impair the air flow in/out.
- The fan should be set up dry on a horizontal platform and should not be near heat sources, corrosive air and moisture. The fan should be kept a distance of 150mm around to ensure good air circulation.
- Do not use the fan outdoors or on a wet surface.
- Do not immerse the fan, power cord, or plug in water or other liquids to avoid danger. The use of an extension cord is not recommended unless it is used for testing by Electrical maintenance professionals.

- Please do not use any air freshener or similar products close to the fan.
- Do not use any cleaning agents or lubricants for this fan. Make sure pulling out the power plug before cleaning, transporting and servicing the device.
- The appliance is only to be used with the supporting spare parts provided.
- If the power cord is damaged, it must be replaced by the manufacturer or its service agent or a similarly qualified Electrical maintenance professionals to avoid a hazard.

3. Device overview

3.1. Product features

This sleek designer bladeless-fan air purifier is the perfect investment to keep the air in your home free of air pollutants.

- True Hepa H13+ filter captures 99,95% of all air particles as small as 0,3 microns in size
- Plasmacluster ion technology removes bacteria, mold and odor-causing agents
- Silent & powerful, with 9 speed settings and 4 air modes
- DC brushless motor for comprehensive and effective air purification
- Sleek LCD touch display
- Atmosphere light for relaxation
- Timer 1-8h
- Oscillation: 30° - 60° - 90° - 120°
- Tilt up and down adjustable: 30°
- Smart AI sensor displays real-time air quality, room temperature and humidity values
- Allows monitoring and controlling the air quality of the family from anywhere through the application on the phone

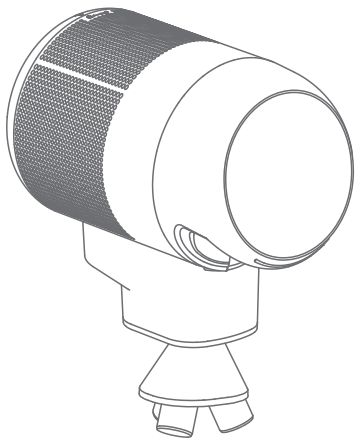
- Sleep Mode for Ultra-Quiet Purification
- Long lasting filter with smart change indicator

3.2. Technical data

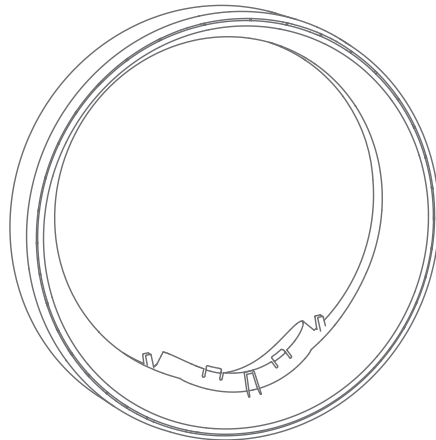
Product name	IoT Purifying Tripod Fan
Rated voltage	24V
Adapter input	100-240V ~ 50/60Hz
Display mode	LCD Digital screen display
Air Speed gear	1-9
Model	BB
Rated power	48W
Control Type	Remote control, touch screen, APP
Timer	1-8h
Product size	630*550*1229 (mm)

3.3. Packing list

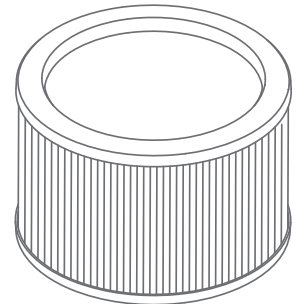
Please check the completeness of the goods and notify the authorized dealer within 7 days of purchase if the delivery is incomplete. For each set of equipment you purchased, you received:



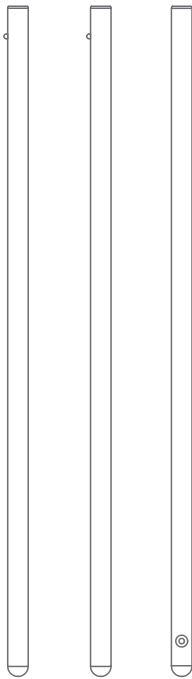
1. Main body



2. Fan air-outlet ring

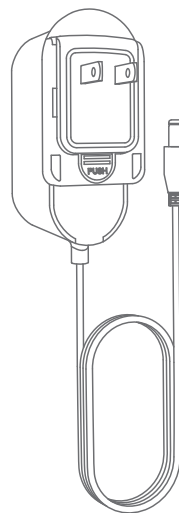


3. True Hepa H13+ filter

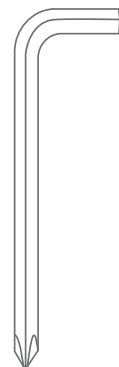


4. Pillar x 2

5. Power supply Pillar x 1



6. Power adapter



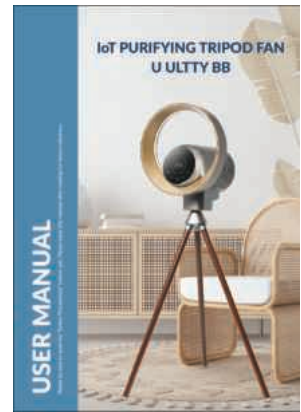
7. Wrench x 1



8. Screw x 1



9. Remote control

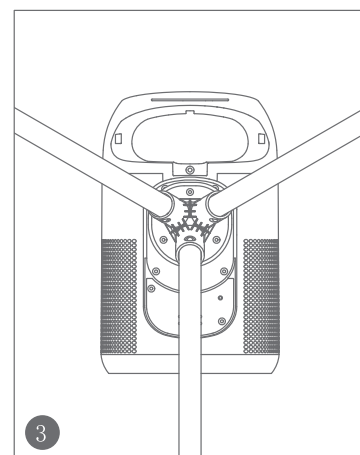
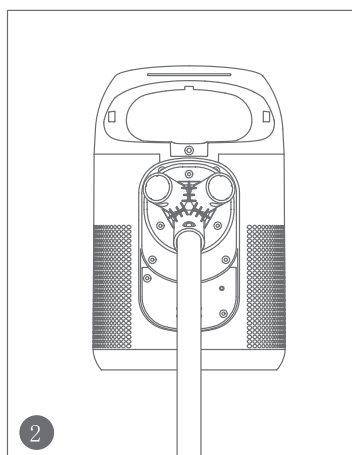
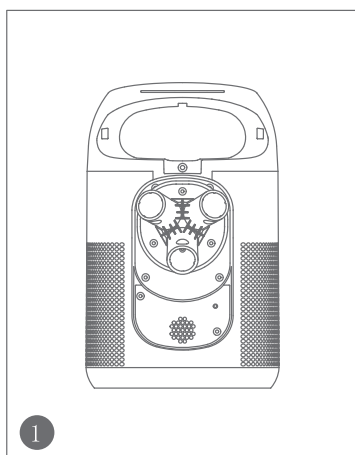


10. User Manual

4. Installing the fan

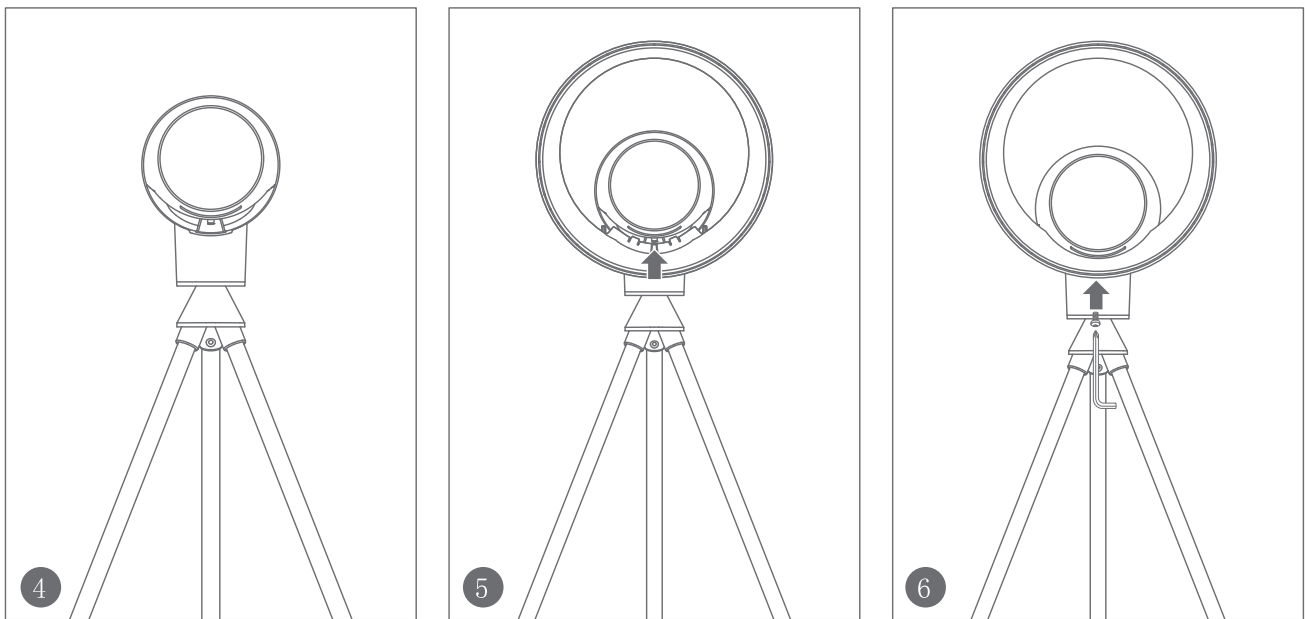
Step 1: Installing the strut

1. First put the motor on the foam as shown in the figure;
2. The power supply pillar is installed to the specified hole position, press the shrapnel button of the pillar, insert the motor hole position, The shrapnel button springs up in the hole and is fixed.
3. Install the two common pillars in the same way



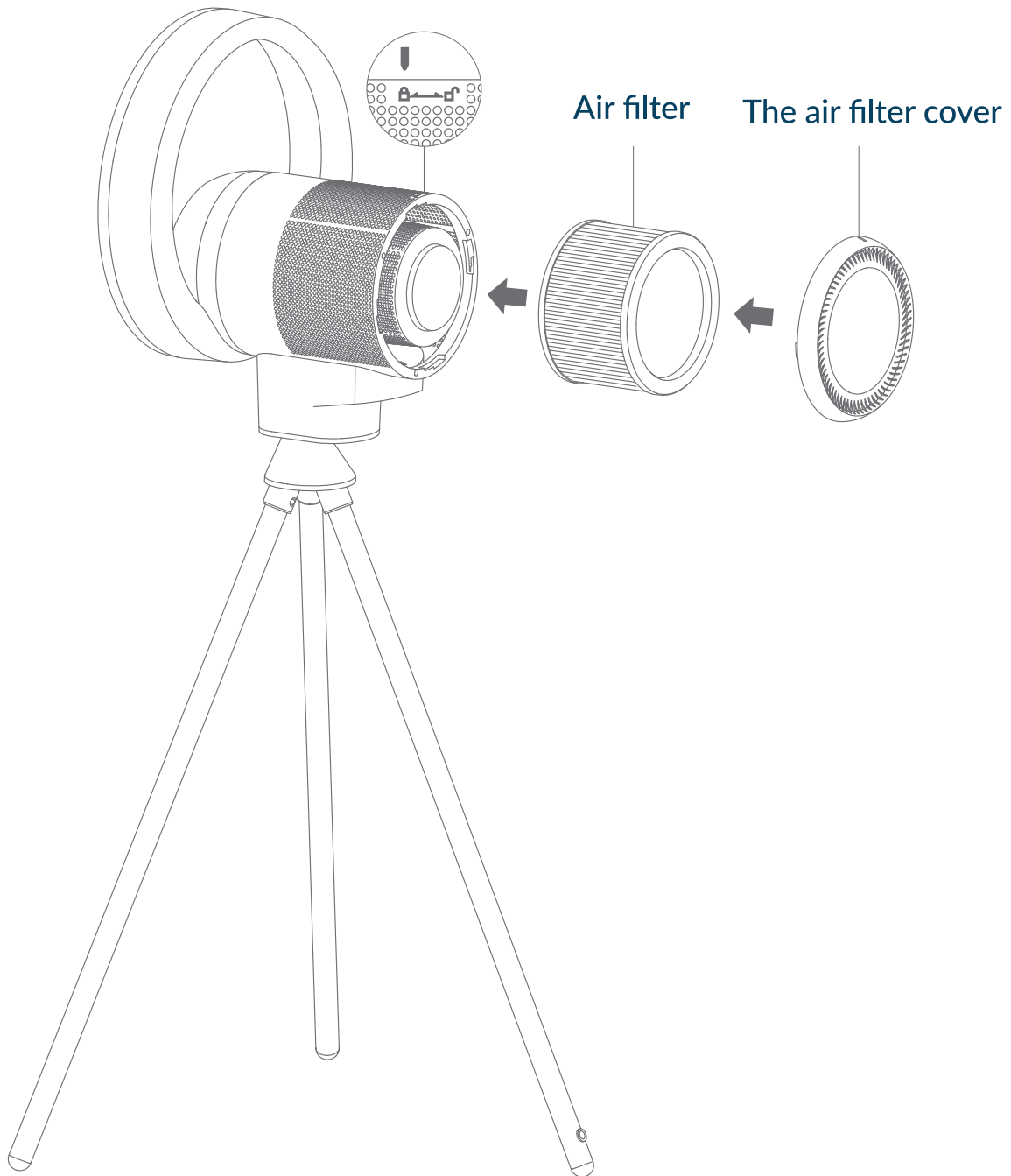
Step 2: Installing wind rings

4. First stand the fan up and put it in a stable place;
5. Install the wind ring to the motor;
6. Insert the wind ring screw into the hole at the bottom of the wind ring and tighten the wind ring screw clockwise with the special wrench



Step 3: Installing the air filter

7. Rotate the air filter cover counterclockwise to remove the air filter cover;
8. Put the air filter into the fan main body;
9. The filter cover is loaded into the fan main body and fixed by clockwise rotation.



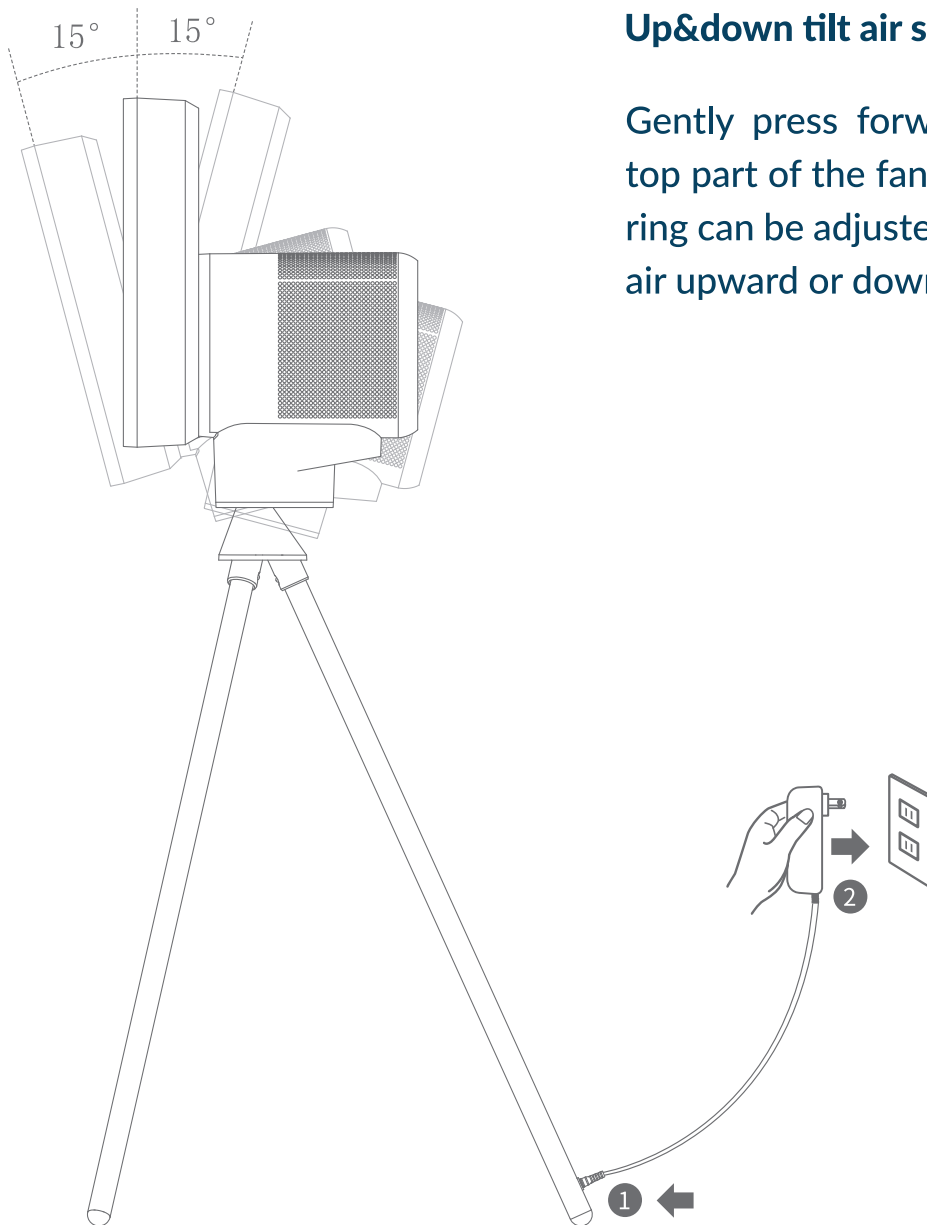
Note:

- This product is equipped with a clean air filter, before use should be installed into the motor filter, can play the role of purifying air.
- This product has memory function. After 720 hours of operation, the screen replacement indicator light will be on.
- After replacing the air filter, long press the On/Standby button of the remote control for 5 seconds to extinguish the prompt, and the running time is accumulated again.

Step 4: Connecting the power supply

10: Connect the power cable to the power port on the fan base.

11: Plug in the adapter to access the power supply ,after hearing the "beep", means the fan is successfully connected to the power supply.



Up&down tilt air supply

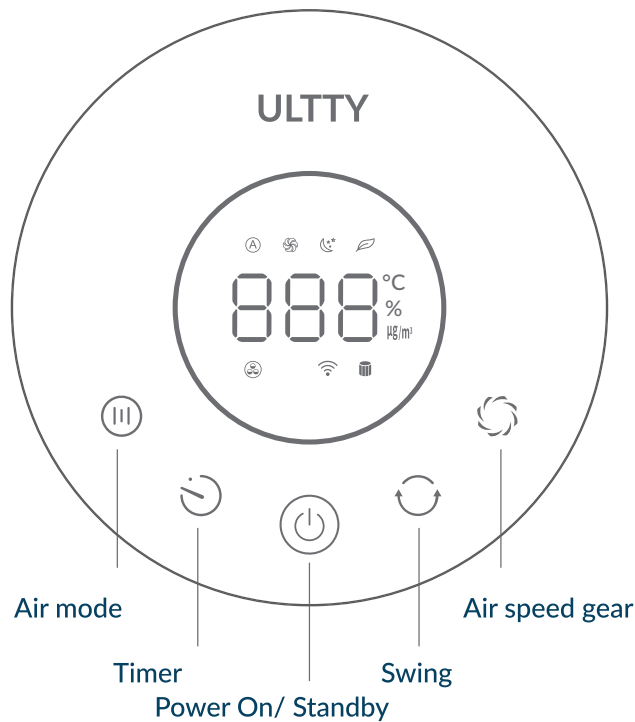
Gently press forward/backward on the top part of the fan air-outlet ring. The air ring can be adjusted to supply the output air upward or downward.



Installation position








1. Please place the fan on a horizontal floor/surface. Please do not place the fan on any uneven surface/unstable position.
2. If there is a slope, please make sure the surface is covered by soft materials to avoid the fan get damage or failure caused by tipping over.
3. In daily use, it is necessary to avoid any objects blocking the air-inlet. Please keep away from the place with curtains when using to avoid the fan stop working because any object blocks the air inlet.
4. Do not place any objects within 30 cm in front of the air outlet to weaken the fan air blowing & air circulating effect.

5. First operation

5.1. Touch control panel

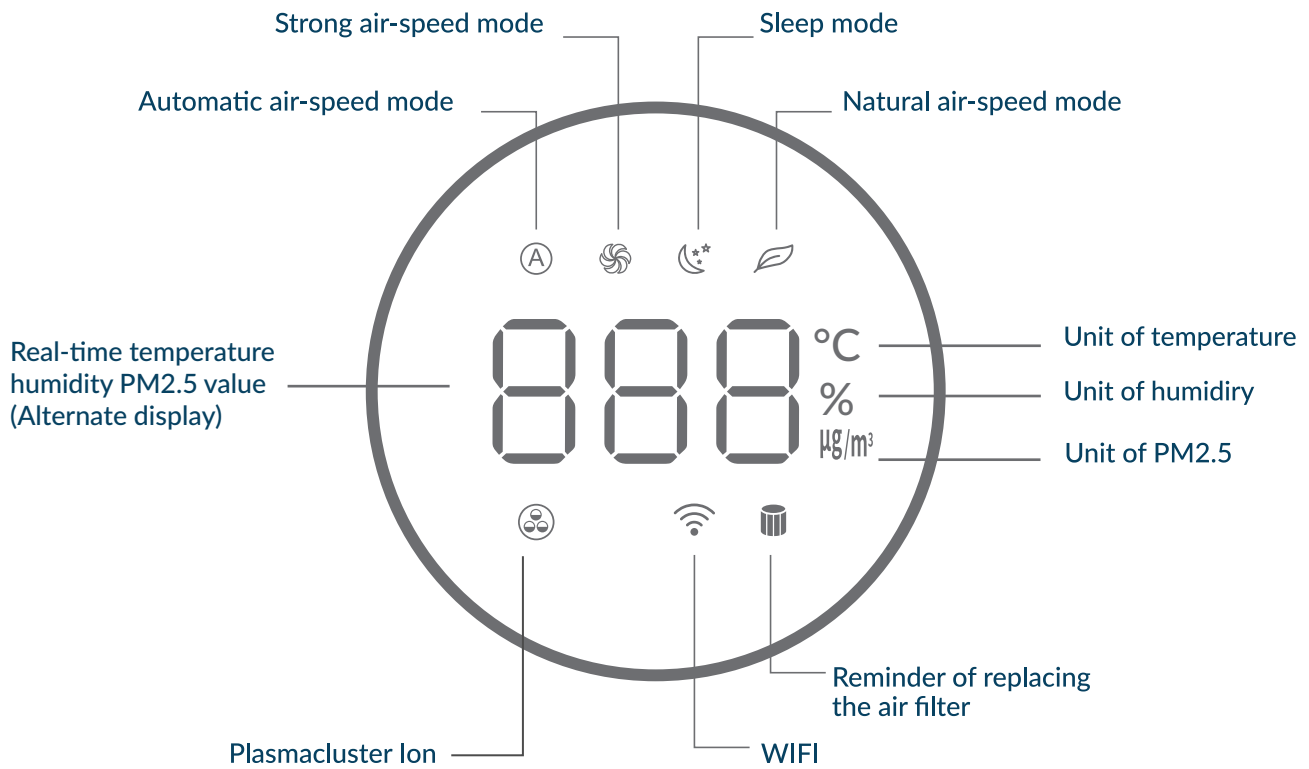


	<p>When the fan is in stand-by state, touch this key to start the fan running. When the fan is in the running state, press this key to stop the fan running and enter the fan stand-by state. Note: Hold this press for 5 seconds to enter the WIFI connection state, and "📶" blinks.</p>
	<p>Press this key to switch the air modes in turn: Automatic air-speed mode, Strong air-speed mode, Sleep Mode, Natural air-speed mode. Automatic mode: displays "Ⓐ" automatically adjust the air speed according to the real-time detected PM2.5 content</p>

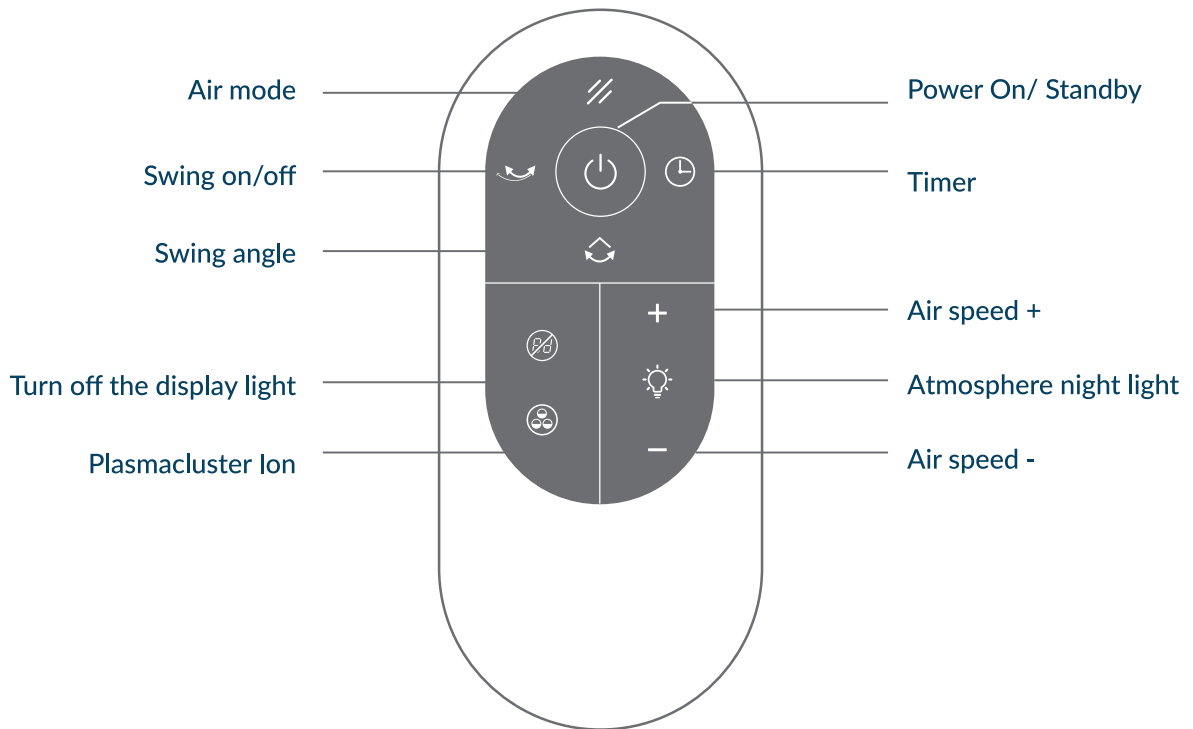
	PM 2.5	0-35	36-70	71-120	120-199
	The numerical				
	Air speed gear	01	03	05	09
	Color of display	Green	Yellow	Orange	Red
	<p>Strong mode: "  " air speed becomes the highest.</p> <p>Sleep mode: "  " the lowest air speed and noise.</p> <p>Natural mode: "  " air volume 3-4-5 gear air-speed in turn. Press the Air speed gear key to exit the current Air mode.</p>				
	<p>Press this key to set 1-8 hours timer-off (stand-by state). When the power supply is turned off, the former timer setting will be canceled.</p>				
	<p>Press this key to switch the swing (left&right) angle in turn: 30°, 60°, 90°, 120°, cancel.</p>				
	<p>Press this key to switch the air-speed gears in turn: 1-9 gears. Note: Press and hold this for 2 seconds to enter the strong air mode</p>				










※ The fan makes a “beep” every time when it is operated

5.2. Display screen



5.3. Remote control

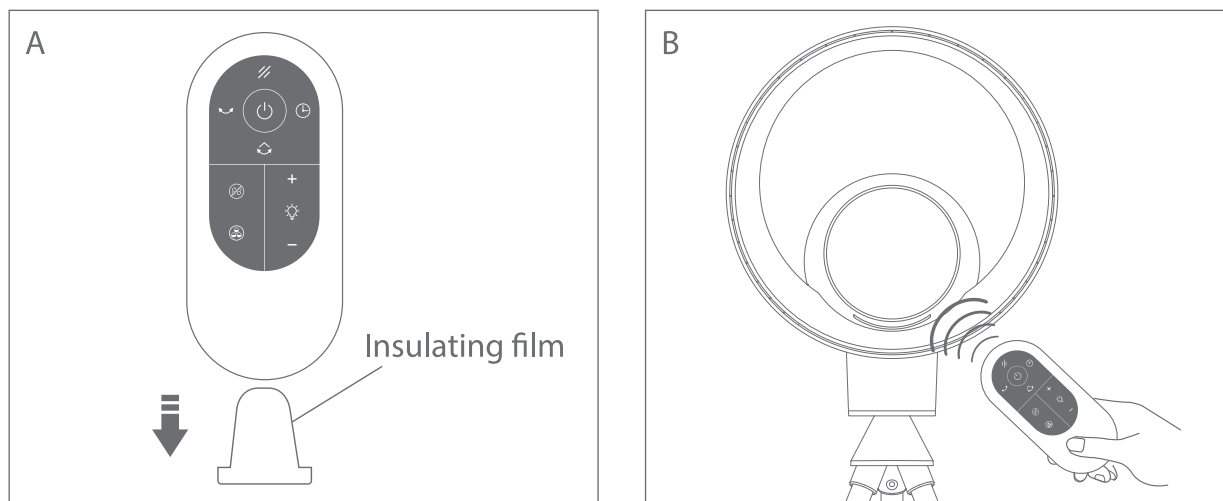


	Press this key to power ON or standby state. Long press this for 5 seconds to recalculate the air filter working hour.
	Press this key to switch the air modes in turn: Automatic air-speed mode, Strong air-speed mode, Sleep Mode, Natural air-speed mode.
	Press this key turn on/off the fan swing. Default in 90°.
	Press this key to switch the swing (left&right) angle in turn: 30°, 60°, 90°, 120°, cancel.
	Press this key to set 1-8 hours timer-off (stand-by state).When the power supply is turned off, the former timer setting will be canceled.
	Press this key to turn on/off the display screen light.
	Press this key to turn plasmacluster ions on/off.
	Press this button to turn on the ambient light, and click to adjust the brightness; Sequential cycle switching: 1-4 gears, off.
	Press the gear key to adjust the air speed 1-9.

※ When you operate the remote control, the fan will “beep”.

Remote control operation guide

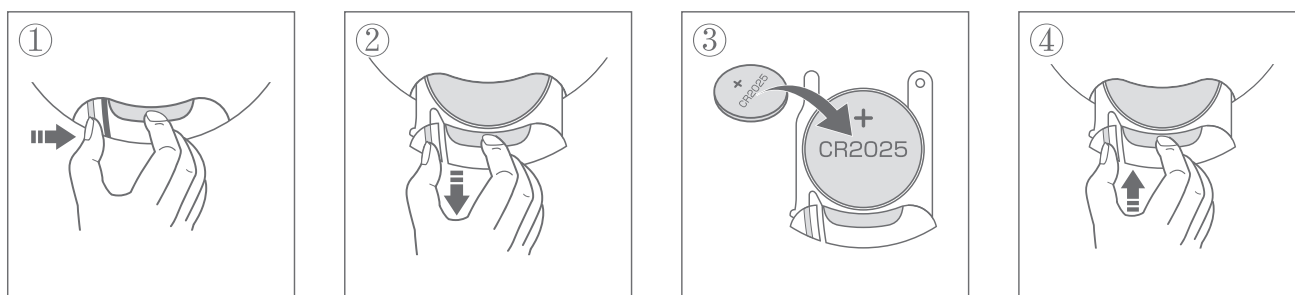
A button battery have been installed in the remote control. Please take out the insulating film before the first-time use, as shown in Figure A. Note: When using the remote control, please point the remote control at the direction of the fan display screen, as shown in Figure B.



Replace the battery

The operation procedure for replacing the battery of the remote control is as shown in the figures 1-4 as below:

1. Press from the side of the bottom of the remote control to release the battery holder;
2. Pull down and remove the battery holder;
3. When loading the battery, please press the "+" pole face upwards;
4. Install the battery holder back into the remote control.



Attention

1. Please do not charge the battery! please put it out of the reach of children, do not swallow the battery!
2. If the remote control button is invalid, please try to replace a new battery;
3. When loading the battery, pay attention to the battery orientation, do not reverse;

4. Operation may be induced by other electrical appliances, this is nothing about the product quality problems, in order to avoid operation error, please stay the remote control away from other electrical appliances;
5. In not using the remote control for a long time, please take out the battery, so as to protect the battery holder.

5.4. APP control connection

1. Connect your mobile to the same WIFI network with Fan;
2. Search "Smart Life" in APP Store or CH Play and install APP (Figure 1);
3. Open "Smart Life" on your mobile phone after downloading (Figure 2);
4. Click Sign Up to register for an account (Figure 3);

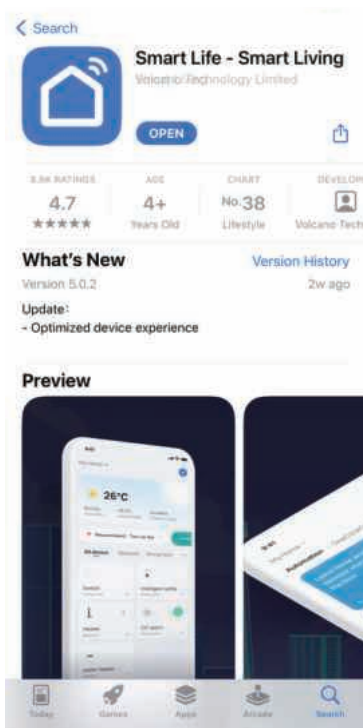


Figure 1



Figure 2

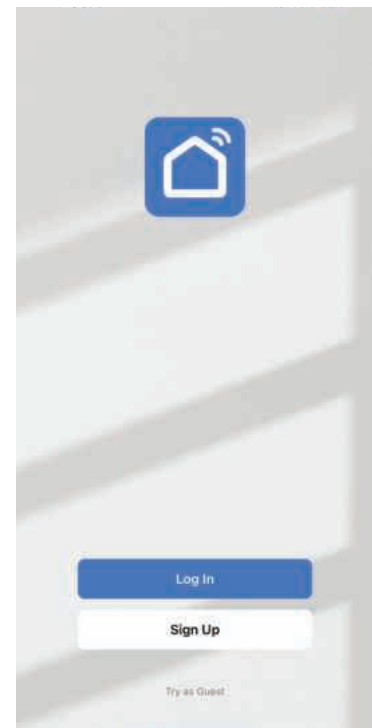


Figure 3

5. Enter your email account, press I agree and press get verification code (Figure 4);
6. Go to the registered email to get the verification code and enter the code (Figure 5);
7. Enter a password consisting of 6-20 including letters and numbers and press Finish (Figure 6);

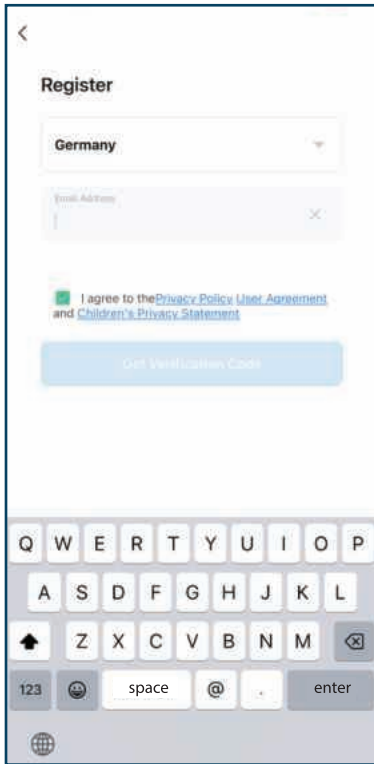


Figure 4

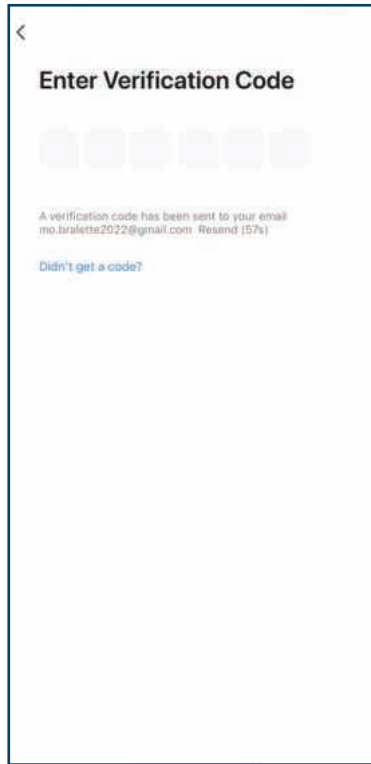


Figure 5



Figure 6

8. Turn on Bluetooth on the phone device;
9. In the off state, press and hold the fan control screen on/off key for 5 seconds, until the WIFI icon starts flashing to enter the network pairing mode;

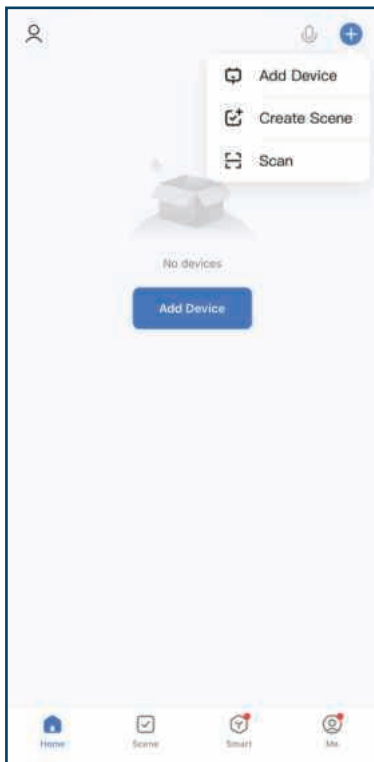


Figure 7



Figure 8

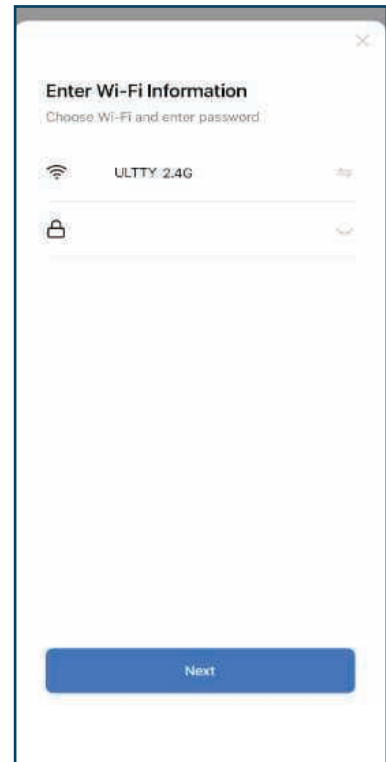


Figure 9

10. On the Apps Page, click "+" → "Add device" in the upper right corner of the Apps page to enter the add device page (Figure 7);
11. After the fan icon is displayed on the screen, press "Add" (Figure 8);
12. Enter the wifi password and press "Continue" to connect the fan to the phone device (Figure 9);
13. After successful connection, press the fan icon on the screen to display the control panel (Figure 10);
14. Fan control application screen (Figure 11).

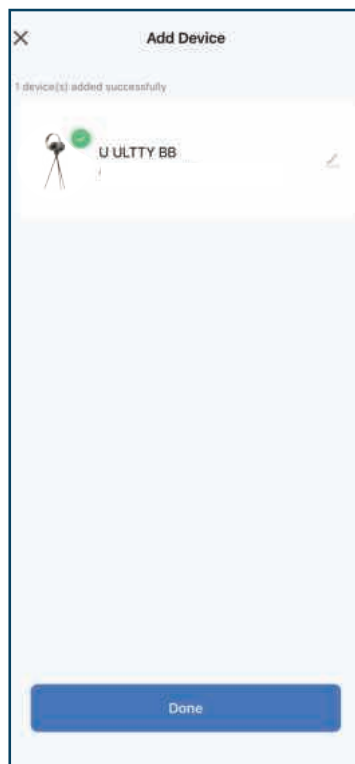


Figure 10

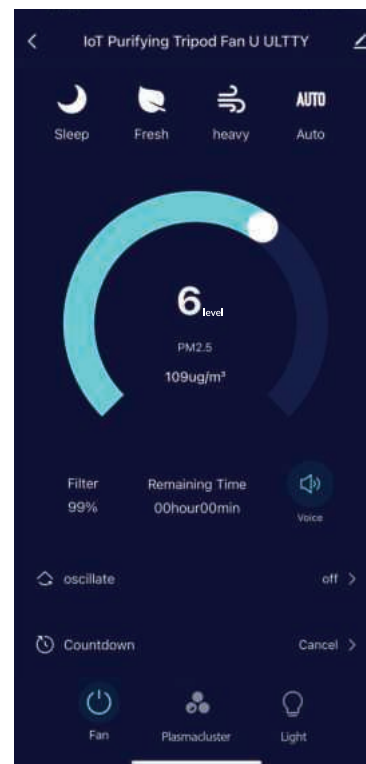


Figure 11

5.5. Google home connection

Step 1: Open Google Home App by tapping the app icon on your device. Tap "Sign up" and choose one Google account that the you already logged in on your mobile device. Find and tap"Settings" from Home page. And then tap "More Settings" (Figure 12)

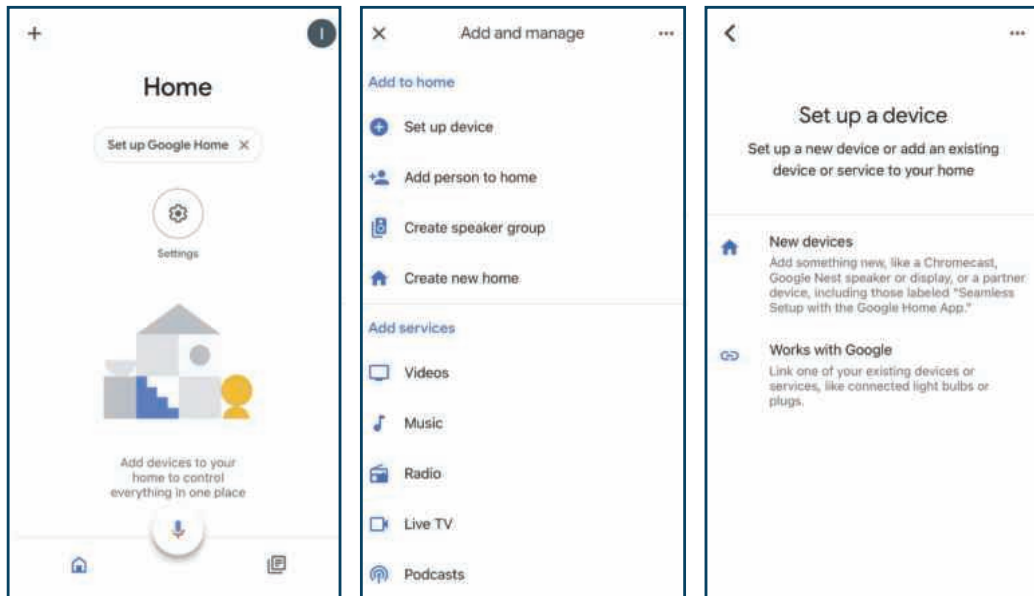


Figure 12

Step 2: Tap "Assistance". Tap "Home Control". Tap "+". Find Smart Living in the list. In the input window, select your Smart Living accounts region type and input your account and password. The link tab will be highlighted. (Figure 13)

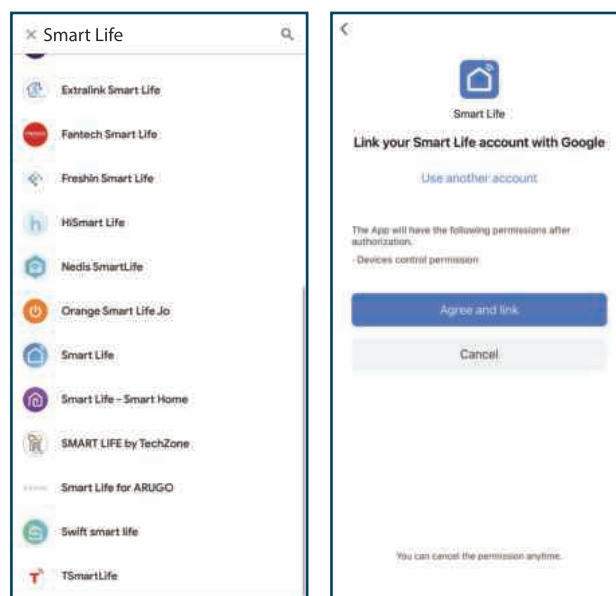


Figure 13

Step 3: Tap "Link Now". After linked, select the Room (e.g Living Room) where your BB fan is located. This helps you identify the device when you want to cast to it.

Step 4: After then, your devices will be listed in the Home Control page and now you can control your BB fan through Fan Home. And you can now activate BB Fan ON/OFF via voice instructions to Google Home Device.

Control your BB Fan through Google Home

Now you can use your Google Home device to control your products using voice commands, e.g:

- Hey Google, turn on BB Fan
- Hey Google, turn off BB Fan
- Hey Google, set the BB Fan to H speeds
- Hey Google, increae/decrease the BB Fan speed.

Note: You have to set the Fan into BB Fan.

6. Maintenance and Storage

Disconnect the power supply before maintenance

1. When the fan body has oil dirt, it must be cleaned up, so as not to cause discoloration and damage on the fan body;
2. After maintenance and cleaning, put all of the fan components into the original packing box according to the original packing turn, and place them in a dry place for safekeeping;

3. The product only need to do general external cleaning and maintenance;
4. Use neutral detergent to wipe the fan body, and then wipe with a clean and soft cloth;
5. Do not wash the product directly with water;
6. Avoid diluent, toluene, acid cleaning agent, oil and other wipe, so as to avoid discoloration or deterioration of the fan body.

7. Troubleshooting

Common faults and troubleshooting

The fault	Why	Processing method
Can't turn it on	<ul style="list-style-type: none"> • The power cable is not plugged in or in poor contact • Body damage 	<ul style="list-style-type: none"> • Plug in the power supply to ensure stable connection • Send to the repair station for repair.
Can't turn it off	<ul style="list-style-type: none"> • Body damage 	<ul style="list-style-type: none"> • Send to the repair station for repair.
Remote control doesn't work	<ul style="list-style-type: none"> • The battery is flat • The battery orientation is wrong • The remote control is not aligned with the signal receiver of the fan screen 	<ul style="list-style-type: none"> • Replace a new battery • Reinstall the battery in the correct direction • The remote control is pointed at the fan display screen

8. Waste disposal

Packaging



Your device is packed to protect against shipping damage. Packaging is raw material and therefore can be reused or can be returned to the raw material cycle.

Device



Old appliances are not disposed of with common household waste. According to Directive 2012/19 / EU, equipment must be properly disposed of at the end of its shelf life. The recycled materials contained in the equipment are recycled and the burden on the environment is avoided. Return the old equipment to the electronic waste collection point or recycling center. For more information, contact your local waste disposal company or your municipal administration.

9. Conformity information

U Ulitty declares that the product complies with the following European requirements:



- Directive EMV 2014/30/ EC
- Low voltage indicator 2014/35/ EC
- Ecodesign directive 2009/125/ EC
- Directive RoHS 2011/65/EU.

GS Certification:



U Ulitty claims that the product has passed European safety requirements, and has been tested and certified by an independent, state-accepted body. The GS mark is based on German product safety law ("Produktsicherheitsgesetz", or "ProdSG"), which is the only national product safety mark.

UKCA Mark (UK Conformity Assessment)



As a new UK product certification mark, required for certain products placed on the market in the UK (England, Wales and Scotland). It covers most products that previously required the CE mark.

ROHS stands for Restriction Of Hazardous Substances



Translated as Restriction of hazardous substances. ROHS is a set of standard rules issued by European law and effective from 1 July 2006 to protect people and the environment from hazardous substances found in electrical and electronic products.

10. Warranty

Customer	Name		36 months warranty
	Address		
	Phone		
	Purchase date		
<p>Please fill in the details in the warranty card and stamp the dealer, otherwise it will not be valid:</p> <ol style="list-style-type: none"> 1. This product is free of charge for 36 months from the date of purchase under normal use conditions. 2. When the warranty period is over and the parts need to be replaced, the maintenance fee will be charged according to regulations. 		Inspector	
<ol style="list-style-type: none"> 3. During the warranty period, the repair will not be free of charge in the following cases: <ol style="list-style-type: none"> a. Failure to present warranty card or proof of purchase (invoice or receipt) b. Maintenance beyond the warranty period c. Damage caused by arbitrarily improper installation d. Damage caused by misuse misuse of the device (such as long-term use in harsh environments) e. Surface aging with use 		Agent's signature	

.



U L T T Y

