



DEEBOT **X11** PRO OMNI  
說明書

Instruction Manual.....EN | P03

說明書.....HK | P31

## IMPORTANT SAFETY INSTRUCTIONS

### IMPORTANT SAFETY INSTRUCTIONS

When using an electrical Appliance, basic precautions should always be followed, including the following:

### **READ ALL INSTRUCTIONS BEFORE USING THIS APPLIANCE**

### **SAVE THESE INSTRUCTIONS**

1. This Appliance is not intended for use by persons (including children) with reduced physical, sensory or mental capabilities, or lack of experience and knowledge, unless they have been given supervision or instruction concerning use of the Appliance by a person responsible for their safety.
2. Children should be supervised to ensure that they do not play with the Appliance.
3. Clear the area to be cleaned. Remove power cords and small objects from the floor that could entangle the Appliance. Tuck rug fringe under the rug base, and lift items such as curtains and tablecloths off the floor.
4. If there is a drop off in the cleaning area due to a

step or stairs, you should operate the Appliance to ensure that it can detect the step without falling over the edge. It may become necessary to place a physical barrier at the edge to keep the unit from falling. Make sure the physical barrier is not a trip hazard.

5. Only use as described in this manual. Only use attachments recommended or sold by the manufacturer.
6. For INDOOR household use ONLY. Do not use the Appliance in outdoor, commercial or industrial environments.
7. Do not use without dust bin and/or filters in place.
8. Do not operate the Appliance in an area where there are lit candles or fragile objects.
9. Keep hair, loose clothing, fingers, and all parts of body away from any openings and moving parts.
10. Do not use and store in extremely hot or cold environments (below  $-5^{\circ}\text{C}$  / $23^{\circ}\text{F}$  or above  $40^{\circ}\text{C}$ / $104^{\circ}\text{F}$ ). Please charge the robot in temperature above  $0^{\circ}\text{C}$ / $32^{\circ}\text{F}$  and below  $40^{\circ}\text{C}$ / $104^{\circ}\text{F}$ .
11. Do not operate the Appliance in a room where an infant or child is sleeping.
12. Do not use Appliance on wet surfaces or

- surfaces with standing water.
13. Do not allow the Appliance to pick up large objects like stones, large pieces of paper or any item that may clog the Appliance.
  14. Do not use Appliance to pick up flammable or combustible materials such as gasoline, printer or copier toner, or use in areas where they may be present.
  15. Do not use Appliance to pick up anything that is burning or smoking, such as cigarettes, matches, hot ashes, or anything that could cause a fire.
  16. Do not put objects into the suction intake. Do not use if the suction intake is blocked. Keep the intake clear of dust, lint, hair, or anything that may reduce air flow.
  17. If the power cord is damaged, it must be replaced by the manufacturer or its service agent in order to avoid a hazard.
  18. Turn OFF the power switch before cleaning or maintaining the Appliance.
  19. The lithium battery type suitable for CH24C0 is Max. 4 cells, max. nominal voltage DC 14.4V, rated capacity 5,800mAh. The battery must be removed and discarded according to local laws and regulations before disposal of the Appliance.
  20. Please dispose of used batteries according to local laws and regulations.
  21. Do not incinerate the Appliance even if it is severely damaged. The batteries can explode in a fire.
  22. The Appliance must be used in accordance with the directions in this Instruction Manual. Ecovacs Home Service Robotics cannot be held liable or responsible for any damages or injuries caused by improper use.
  23. The robot contains batteries that are only replaceable by skilled persons. To replace the robot's battery, please contact Customer Service.
  24. Please make sure your power supply source voltage matches the power voltage marked on the OMNI Station.
  25. Use only the original rechargeable battery and OMNI Station provided with the Appliance from the manufacturer. Non-rechargeable batteries are prohibited.
  26. Take care not to damage the power cord. Do not pull on or carry the Appliance or OMNI Station by the power cord, use the power cord as a handle, close a door on the power cord, or pull power cord around sharp edges or corners. Do not run Appliance over the power cord. Keep

- power cord away from hot surfaces.
27. Do not use the OMNI Station if it is damaged.  
The power supply is not to be repaired and not to be used any longer if it is damaged or defective.
  28. Do not use with a damaged power cord or receptacle. Do not use the Appliance or OMNI Station if it is not working properly, has been dropped, damaged, left outdoors, or come in contact with water. It must be repaired by the manufacturer or its service agent in order to avoid a hazard.
  29. The plug must be removed from the receptacle before cleaning or maintaining the OMNI Station.
  30. Remove the Appliance from the OMNI Station, and turn OFF the power switch to the Appliance before removing the battery for disposal of the Appliance.
  31. When not using the OMNI Station for a long period of time, please unplug it.
  32. If the robot will not be used for a long time, power OFF the robot for storage and unplug the OMNI Station.
  33. **WARNING**-Add clean water into the clean tank only.

34. **WARNING:** For the purposes of recharging the battery, only use the detachable supply unit CH24C0 provided with the Appliance.








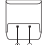

To satisfy RF exposure requirements, a separation distance of 20 cm or more should be maintained between this device and persons during device operation.

To ensure compliance, operations at closer than this distance is not recommended. The antenna used for this transmitter must not be co-located in conjunction with any other antenna or transmitter.

### **Device Update**

Typically, some devices are updated bi-monthly, but not always so specific.

Some devices, especially those that went on sale more than three years ago, will only be updated if a critical vulnerability is found and fixed.

	Caution: hot surface
	Short-circuit-proof safety isolating transformer
	Switch mode power supply
	For indoor use only
	Direct current
	Alternating current
	Before charging, read the instructions.
	Polarity of the charging port
	Time-lag miniature fuse-link

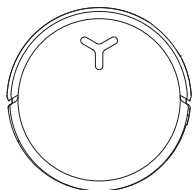


### Correct Disposal of this Product

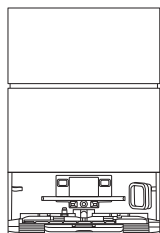
This marking indicates that this product should not be disposed of with other household waste throughout the EU. To prevent possible harm to the environment or human health from uncontrolled waste disposal, recycle it responsibly to promote the sustainable reuse of material resources. To recycle your used device, please use the return and collection systems or contact the retailer where the product was purchased. They can safely recycle this product.

# PACKAGE CONTENTS

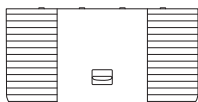
## 1 Package Contents



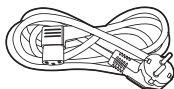
DEEBOT



OMNI Station



Base



Power Cord



Instruction Manual



Corner Guards

### Note:

\*A thoughtful pair of corner guards is included to enhance user safety and improve handling comfort. To install: Align the inner slot of the corner guard with the edge and press it into place. Compatible with all DEEBOT corner designs.

\*Figures in this manual are for reference only and may differ from the appliance. Product design and specifications are subject to changes without notice.

## 2 Product Diagram

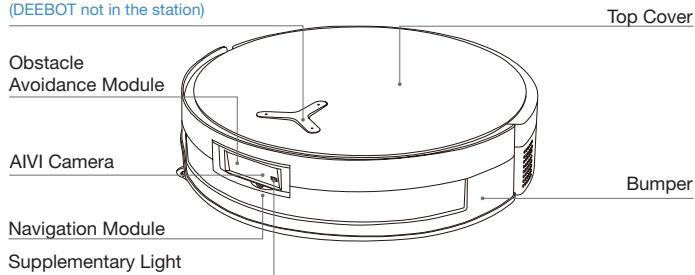
### 1. DEEBOT Front View

Buttons on DEEBOT:

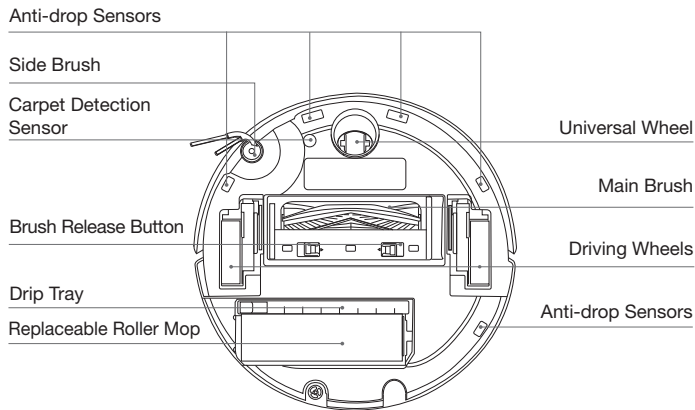
Press: Toggle start/Pause

Press for 3 s: Return to the station

Double Tap: Release/Retract the mop  
(DEEBOT not in the station)



### 2. DEEBOT Bottom View

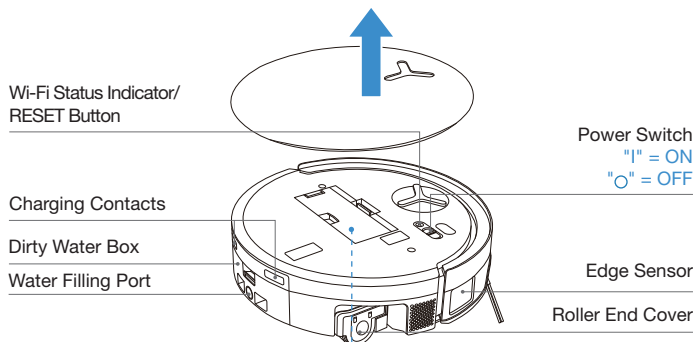


### 3. Inside DEEBOT (Under the Top Cover)

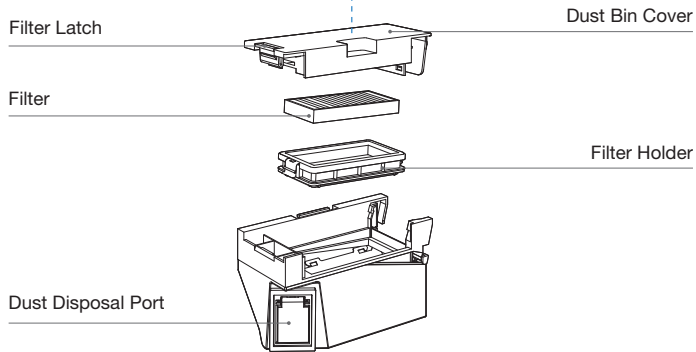
#### RESET Button

**Network Setup:** Press the RESET Button, and a voice prompt will be heard to connect DEEBOT to the App.

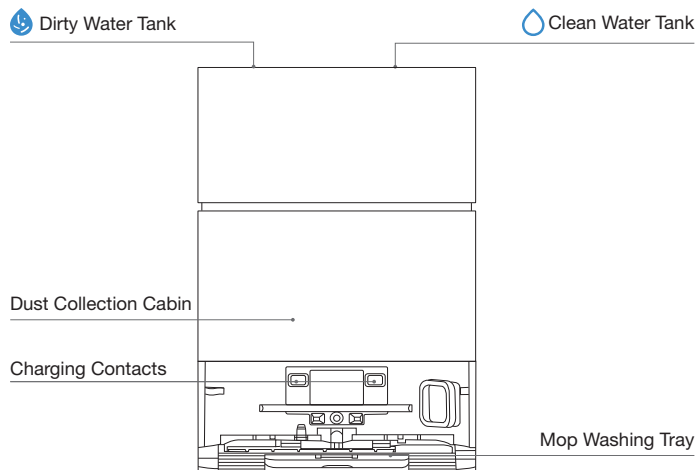
**Restore default settings:** Press and hold the RESET button for 5 seconds. After hearing the voice prompt, the startup music will play, and DEEBOT will be restored to its default settings. Exercise caution when using this function.



### 4. Dust Bin



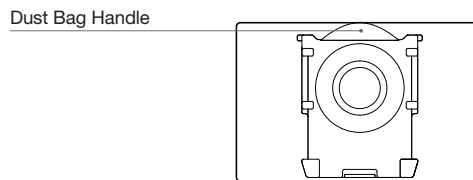
### 5. OMNI Station Front View



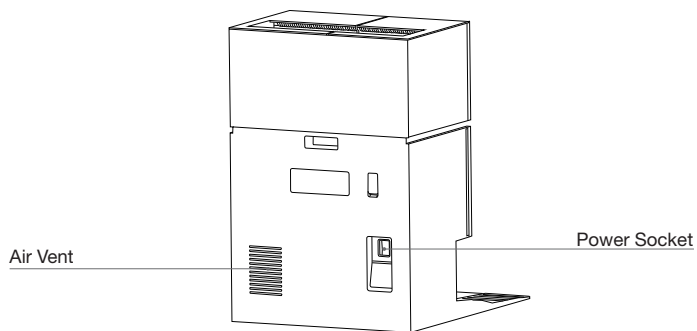
#### Note:

- Flashing Orange: Please check the ECOVACS HOME App for the cause of the malfunction.
- If DEEBOT fails to charge, please wipe the charging contacts with a clean and dry cloth.

### 6. Dust Bag



## 7. OMNI Station Back View



## 8. Indicator Light on DEEBOT

Light Effect	State
Breathing White	Charging
Solid White	Fully Charged/Running
Solid Red	Low Battery
Flashing Red	DEEBOT Alarm
Flashing Orange	Station Alarm

## 9. Sensors Overview

Name	Functional Description
Navigation Module	Laser Ranging is applied to measure the distance between DEEBOT and surrounding objects based on the time difference of reflection, allowing the module to map against the objects around while DEEBOT is moving. The detection range is 10 m.
Obstacle Avoidance Module	Infrared Ranging and similar triangles are applied to measure the distance between the surrounding objects and DEEBOT. When the sensor detects an object nearby, DEEBOT will automatically take a turn to avoid bumping into the object. The detection range is 0.3 m.
Anti-drop Sensors	Using the Time-of-Flight (dToF) principle, the dToF sensor located on DEEBOT's bottom continuously measures the distance between DEEBOT and the ground. Meanwhile, infrared sensors on the bottom detect the distance using infrared ranging technology. DEEBOT will not move forward when there are stairs in front (such as when the height of the white surface is 55 mm or more, or the height of the black surface is 30 mm or more) and the identified height exceeds the preset one, realizing the anti-drop feature.
Carpet Detection Sensor	The sensor emits 300 kHz ultrasound, whose energy will be absorbed by the carpet, causing the echoed energy to be lower than the threshold. DEEBOT thereby detects the carpet's presence. In the ECOVACS laboratory, more than 50 types of carpets available on the market are identified.
Anti-collision Sensor	With the principle of the Optocoupler Switch, DEEBOT will avoid obstacles when they are about to collide.
Edge Sensor	With Infrared Ranging, the edge sensor detects the distance between the DEEBOT and objects on the side. When there is a wall or obstacles on the right, the DEEBOT performs edge cleaning to avoid missing any spots and prevent collisions.
AIVI Camera	Use AI cameras to collect images of the surrounding environment. Realize video recording. Through interaction with MIC, remote video call can be realized.
Microphone	The microphone captures sound through diaphragm vibrations caused by the human voice traveling through the air. This enables voice recording and Voice Control to direct the DEEBOT to complete the assigned job through the acquisition and algorithms of sound models. The effective wake distance is 5 m.

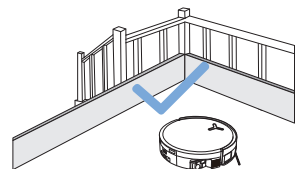
# INITIAL SETUP AND USE

## 1 Notes before Cleaning



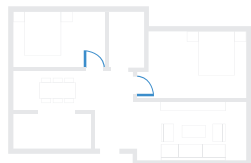
### Tidy up the Area to be Cleaned

For the maximum cleaning area possible, put furniture, such as tables, chairs, and pedestal fans, in their proper place and put away low-lying items, such as weight scales, before using DEEBOT.



### Prevent DEEBOT from Fallin

Place a physical barrier at the edge of a drop, such as staircases and steps, to stop DEEBOT from falling over the edge.



### Open Doors and Help DEEBOT Explore

Open all room doors to help DEEBOT fully explore your house during the first use.



Remove objects, including cables, clothes, and slippers, from the floor to improve cleaning efficiency.



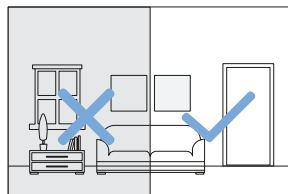
Before using the product on a carpet with tasseled edges, please fold the tassels under the carpet.



Please do not stand in narrow spaces, such as hallways, to avoid blocking the navigation module.



Ensure the clarity of DEEBOT's vision and avoid scratching or smudging the AI camera lens with fingerprints or oily stains. Use a clean, soft cloth to wipe the camera, instead of cleaning agents, detergents, or sprays.



### Provide Sufficient Lighting

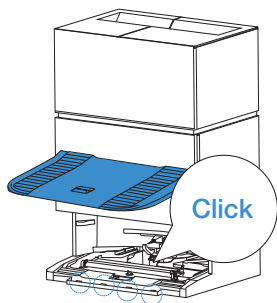
Ensure all cleaning areas are well-lit to support DEEBOT's AI camera in accurately avoiding obstacles such as shoes, socks, and cords.

## 2 Quick Start

Remove all protective materials before using the appliance.

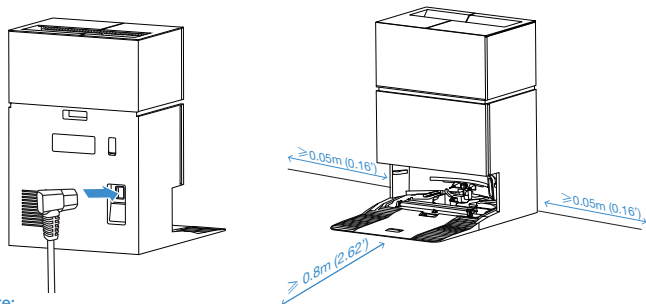
### 1. Station Installation

The sound of "click" indicates proper installation.



### 2. Assemble and Place the Station

Place the OMNI station against the wall on a flat, hard surface. Do not place items within 0.05 m on either side and 0.8 m in front.



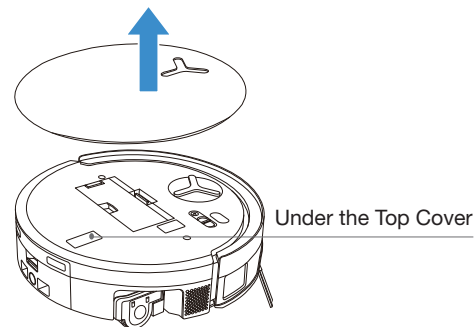
#### Note:

- If there are reflective objects such as mirrors and reflective skirting lines near the station, the bottom 14 cm of such objects should be covered.
- Do not place the station under direct sunlight or in high-temperature environments.
- Place the station in a location with a strong Wi-Fi signal for a better user experience.

## 3 Download ECOVACS HOME APP

To enjoy all available features, it is recommended that you control your DEEBOT via the ECOVACS HOME App.

Scan the QR code under the top cover to download the App.


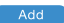


Or search "ECOVACS HOME" on the App Store or Google Play to download the App.



**Note:** Follow the instructions on the App to complete the registration, login, and connection.

## 4 Connect DEEBOT with APP

**Via Bluetooth:** Turn on DEEBOT and your mobile phone Bluetooth. Allow the App to obtain mobile phone Bluetooth permission. Tap to scan the QR Code on DEEBOT or tap  or  in the App to find the nearby DEEBOT.

**Via Wi-Fi:** You can also choose to connect DEEBOT with the App through other methods according to the prompts on the App's page.


**Note:** Please connect via Bluetooth for a better experience.

**Note:** Please connect via Bluetooth for a better experience.

### Wi-Fi Network Requirements:

- You are using a 2.4GHz or 2.4/5 GHz mixed network.
- Your router supports 802.11b/g/n and IPv4 protocol.
- Do not use a VPN (Virtual Private Network) or Proxy Server.
- Do not use a hidden network.
- WPA and WPA2 using TKIP, PSK, AES/CCMP encryption.
- WEP EAP (Enterprise Authentication Protocol) is not supported.
- Use Wi-Fi channels 1-11 in North America and channels 1-13 outside North America (refer to local regulatory agency).
- If you are using a network extender/repeater, the network name (SSID) and password are the same as your primary network.
- Please enable the WPA2 on your router.


### Wi-Fi Indicator Light

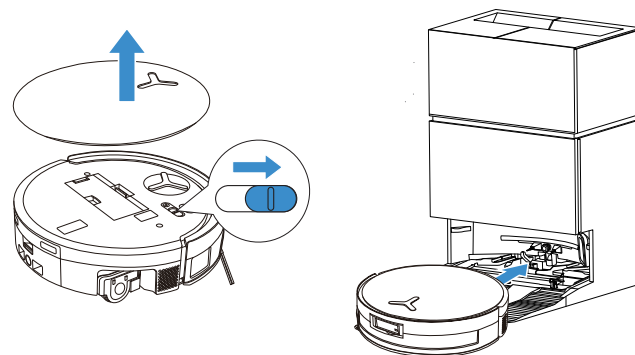
	Slow flashing white light	Disconnected from Wi-Fi
	Fast flashing white light	Connecting
	Steady white light	Connected to Wi-Fi

Please be aware that intelligent features such as remote startup, voice interaction, 2D/3D map display and control settings, and personalized cleaning (depending on the Appliance) require the ECOVACS HOME App, which is constantly updated.

You need to agree to our Privacy Policy and User Agreement so that we can process some of your essential and necessary information before you can use certain features of the ECOVACS HOME App to control the Appliance. If you disagree with our Privacy Policy and User Agreement, such features will be unavailable. However, you can still use the basic features of this appliance for manual operation.

## 5 Power on and Charge DEEBOT

Turn on the power switch under DEEBOT's cover ('I' = ON, 'O' = OFF), and place DEEBOT in front of the station that is connected to the power supply. Use the ECOVACS HOME App or voice control to recall DEEBOT, or press and hold  on DEEBOT for 3 s, to allow DEEBOT to dock for charging.

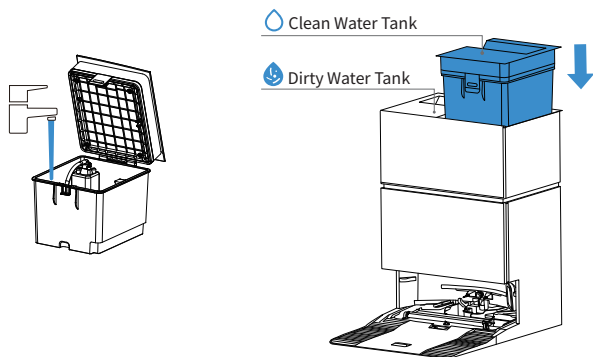


### Note:

- DEEBOT cannot charge when it is powered off.
- After cleaning, it is recommended to keep DEEBOT powered on and charging to ensure it is ready for the next cleaning session.
- Please start cleaning from the station. Do not move the station while cleaning.

## 6 Fill the Clean Water Tank

Take out the clean water tank, open the tank cover, and fill the tank with water. Close the tank cover and reinstall the clean water tank.

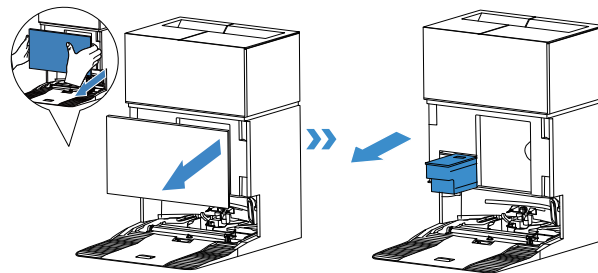


### Note:

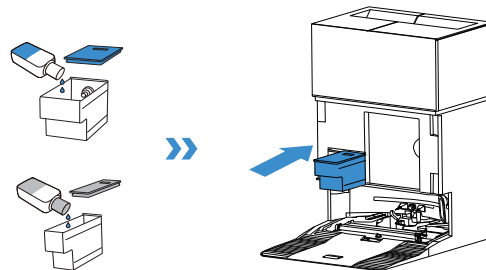
- Use only ECOVACS DEEBOT cleaning solution to avoid malfunctions.
- Use a clean, dry cloth to wipe off any water on the surface of the tank before placing it in position.
- Make sure to lock the top covers of both water tanks securely before use.
- Any watermarks in the water tanks are from function testing. Please use it with confidence.

## 7 Add Cleaning Solution (sold separately)

1. Take off the dust collection cabin cover, pull out the two cleaning solution boxes, and place them on a level, hard surface.



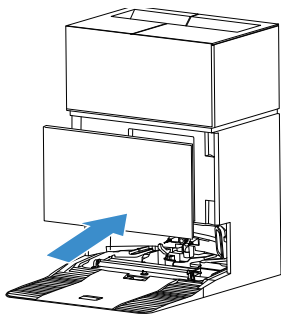
2. Remove the lid of the cleaning solution tank and pull out the two cleaning solution boxes. Pour the standard cleaning solution into the blue box and the heavy-duty cleaning solution into the black box. After securing the box lids, push them back into the station and close the tank lid.



### Note:

- Do not pour cleaning solution into the clean water tank. Add it to the cleaning solution tank instead. Otherwise, an incorrect ratio may cause excessive foaming and reduce cleaning effectiveness.

3. Return the dust collection cabin cover and press the cover firmly to secure it in position.



**Note:**

- For better performance and longer lifespan of the product, please use ECOVACS DEEBOT cleaning solution (sold separately).
- Please make sure that no foreign objects fall into the cleaning solution box.

## 8 Operate DEEBOT for Cleaning

### 1. Start Mapping


When creating a map for the first time, please follow DEEBOT to help with some minor issues.

For example, DEEBOT may get stuck under furniture. Please refer to the following solutions:


- ① Raise the low-sitting furniture if possible;
- ② Cover the bottom of the furniture;
- ③ Set up a virtual boundary via the App.

### 2. Start Cleaning


- The DEEBOT's water tank is automatically refilled through the station. Manual refilling is not needed.
- When mopping, DEEBOT will recognize floor types and is able to lift mops automatically when encountering carpets. Please do not use DEEBOT on shaggy rugs or carpets with fibres longer than 10 mm. It is recommended to fold up the shaggy rugs with fibres longer than 10 mm during the cleaning process, or set the shaggy carpeted area as a no-entry zone by setting a virtual boundary in the ECOVACS HOME App.

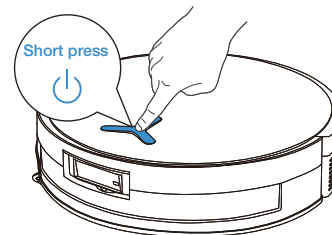
Please ensure that DEEBOT is in the station and is fully charged before cleaning for the first time. Tap  on DEEBOT to start. You can also use the ECOVACS HOME App or voice control to start.

### 3. Pause


Tap  on DEEBOT to pause it while it is working. You can also use the ECOVACS HOME App or voice control to pause DEEBOT.

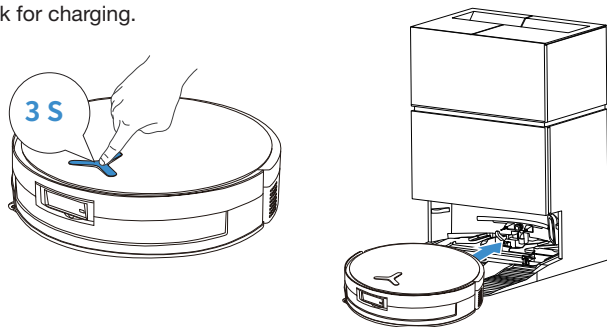
### 4. Wake Up

After pausing for a while, all indicator lights on DEEBOT will go out. To wake up DEEBOT, press .



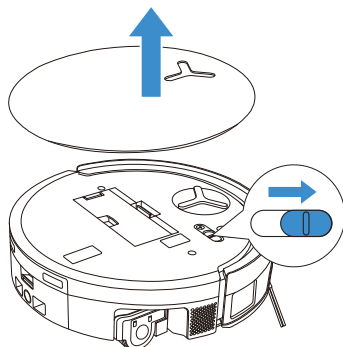
## 5. Back to Station

Use the ECOVACS HOME App or voice control to recall DEEBOT, or press and hold the  button on DEEBOT for 3 s, to allow DEEBOT to dock for charging.



## 6. Deep Sleep Mode

DEEBOT will enter deep sleep mode if it stays outside the station for about 10 h to protect the battery. Please switch OFF and ON to wake DEEBOT up.



When PowerBoost Charging is enabled, DEEBOT will fast charge for about 5 minutes after returning to the station. It will then switch to standard charging and stop automatically once fully charged.

# REGULAR MAINTENANCE

## 1 Maintenance Frequency

To keep DEEBOT running at peak performance, perform maintenance and replace parts at the following frequencies:

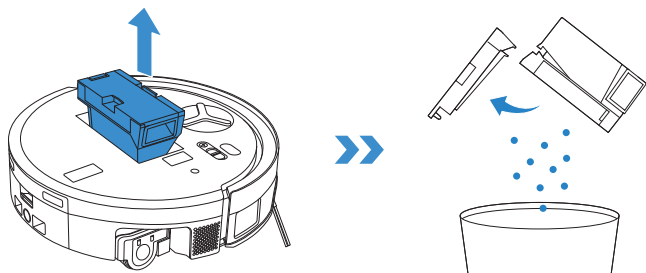
Part	Maintenance Frequency	Replacement
Washable Roller Mop	/	Every 1-2 months
Drip Tray	Every week	/
Dirty Water Box	Every week	/
Dust Bag	/	When the App prompts
Side Brush	Every 2 weeks	Every 3-6 months
Main Brush	Every week	Every 6-12 months
Filter	Every week	Every 3-6 months
Edge Sensor Universal Wheel Anti-drop Sensors Bumper Charging Contacts on DEEBOT Charging Contacts on OMNI Station Navigation Module Obstacle Avoidance Module AIVI Camera	Approx. every month	/
Clean Water Tank	Every 3 months	/
Dirty Water Tank	Every month	/
Body and Bottom of the Station	Every month	/
Mop Washing Tray	Every 5 months	/
Cleaning Solution Unit	Every month	/

Note: Explore more accessories at the ECOVACS HOME App or at <https://www.ecovacs.com>.

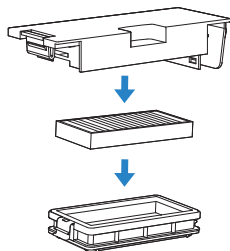
# DEEBOT MAINTENANCE

## ① Maintain Dust Bin and Filter

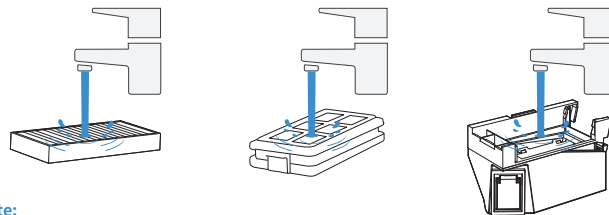
1. Remove the dust bin and then empty it.



2. Open the filter net and remove the filter.



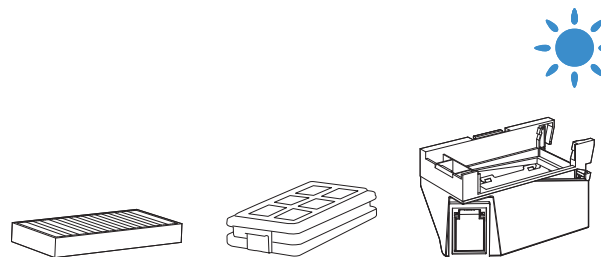
3. Rinse the dust bin and filter with water, and shake off the water droplets.



**Note:**

- Please rinse the filter with water as shown.
- Do not use fingers or brushes to clean the filter.

4. Air-dry the dust bin and filter.



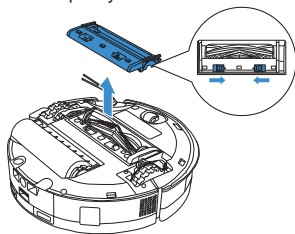
**Note:** Completely dry the components before use.

## 2 Maintain Main Brush and Side Brush

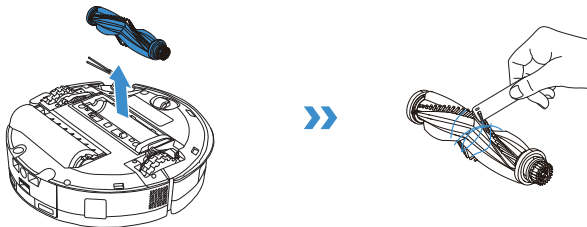
### Clean the Main Brush.

1. Remove the cover on the main brush.

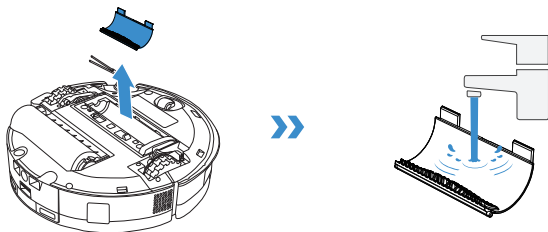
**Note:** Before turning DEEBOT upside down, please empty any remaining water from the dirty water tank and drip tray.



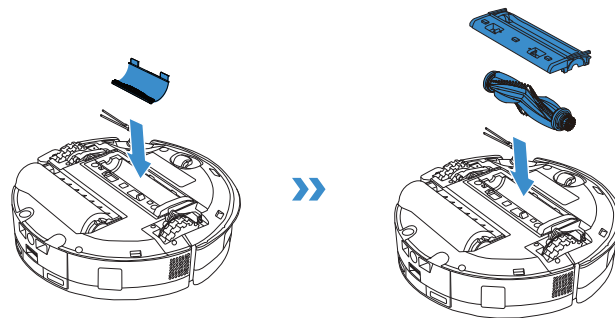
2. Remove and clean the main brush.



3. Remove, clean and dry the brush comb.

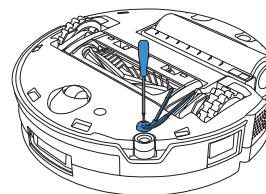


4. Install the brush comb, main brush and the cover.



### Clean the Side Brush

Remove the side brush using a screwdriver and clean it.



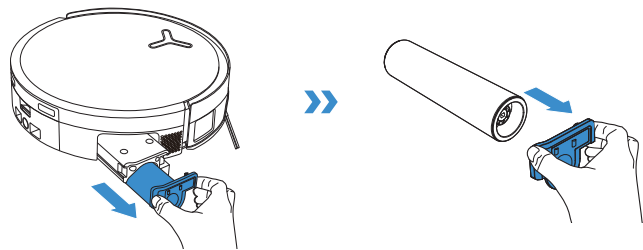
### 3 Maintain Roller Mop

1. Double tap  button to release roller mop component.

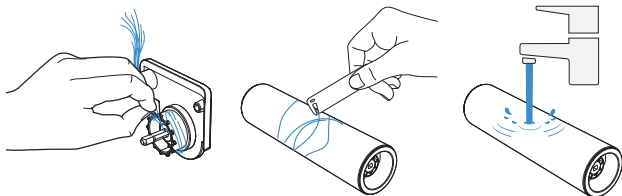


**Note:** Do not pull the roller forcefully while it is retracted, as this may damage the roller mop component.

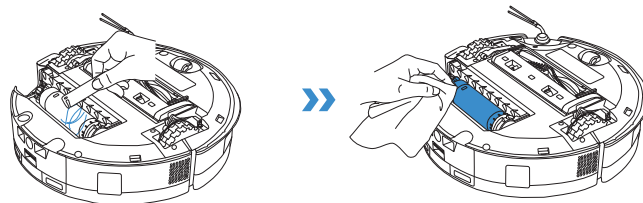
2. Press the lateral unlock button to remove the roller.




3. Clean the roller mop.

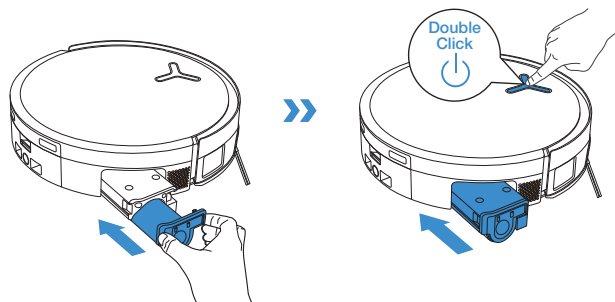


4. Clean inside the roller.



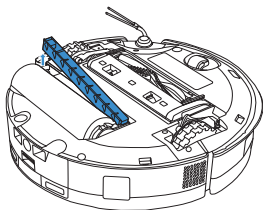
**Note:** Do not wash DEEBOT with water.

5. Push the roller mop into the roller end cover and double tap the  button to retract.



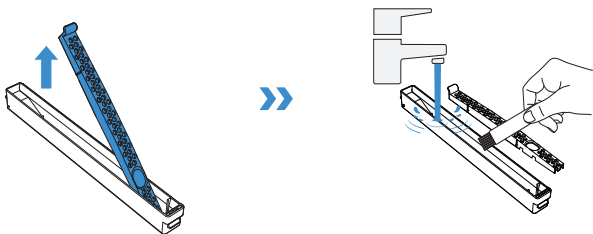
## 4 Maintain Clean Drip Tray

1. Remove the drip tray.

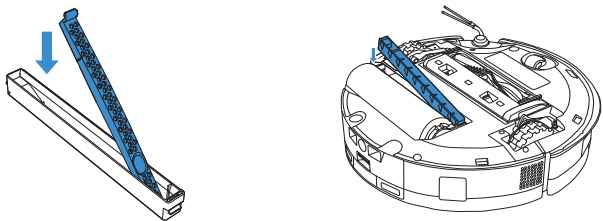


**Note:** A small amount of residual water may leak out when flipping DEEBOT if it's not in drying mode.

2. Remove and clean drip tray components.

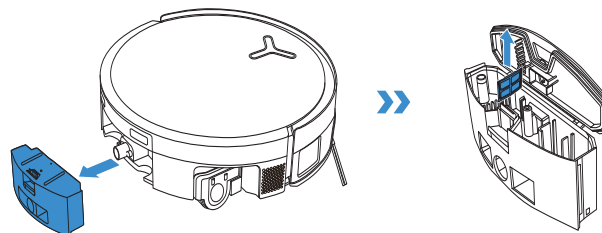


3. Please install the drip tray filter components as shown in the illustration.

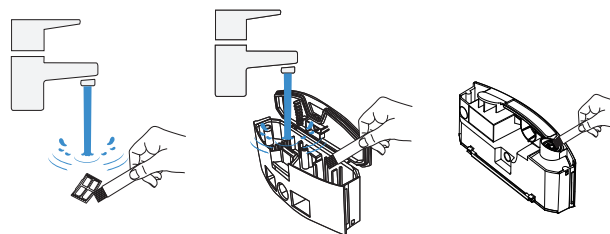


## 5 Maintain Dirty Water Box

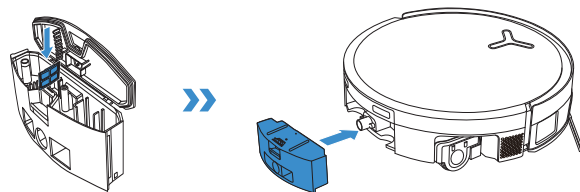
1. Remove the dirty water box and the filter net.



2. Clean the filter net, box, and sewage outlet.



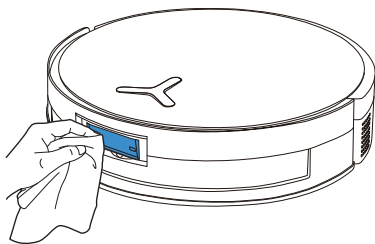
3. Reinstall the filter, press securely and then reattach the dirty water box cover.



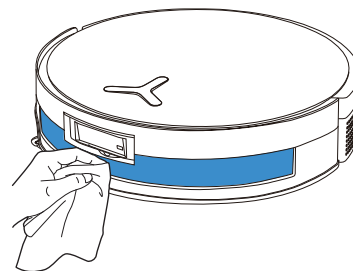
Press the dirty water box cover firmly in the guided direction until its plane is completely flush with the upper edge of the box to ensure a tight seal.

## 6 Maintain Other Components

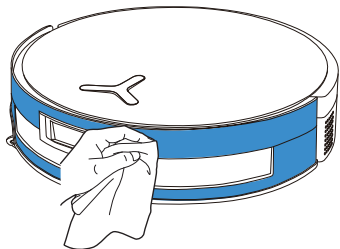
### Clean the Obstacle Avoidance Module Lens



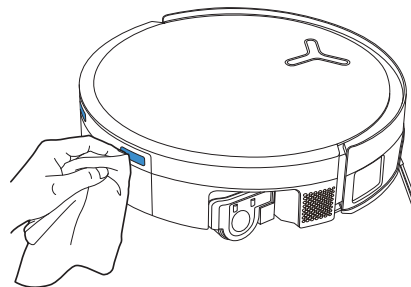
### Clean the Navigation Module



### Clean the Bumper



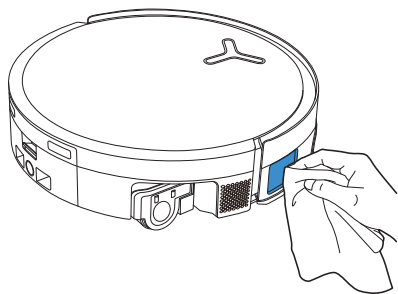
### Clean Charging Contacts



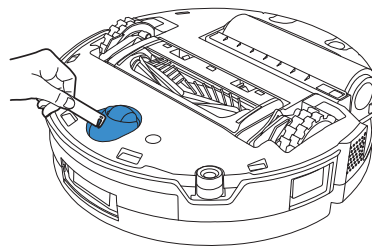
**Note:** Use a dry cloth when cleaning the Anti-drop sensors and bumper to prevent water damage.

**Note:** Charging contacts contain sensitive electronic components. Clean them with a dry cloth. Do not use a wet cloth to prevent water damage.

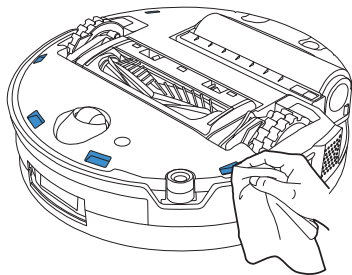
### Clean the Edge Sensor



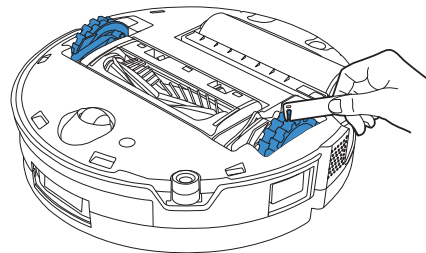
### Clean the Universal Wheel



### Clean the Anti-drop Sensors



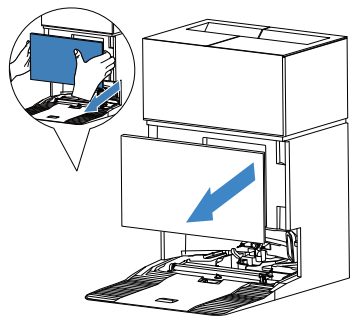
### Clean the Driving Wheels



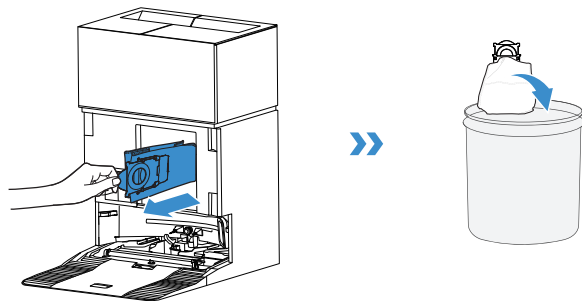
# STATION MAINTENANCE

## ① Maintain Dust Bin

1. Remove the dust collection cabin cover.

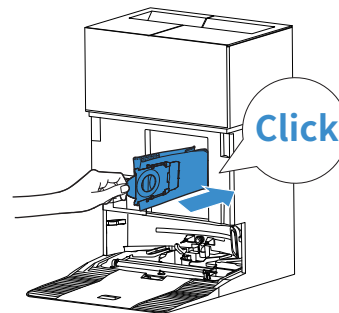


2. Remove the disposable dust bag in the direction of the arrow and discard it.

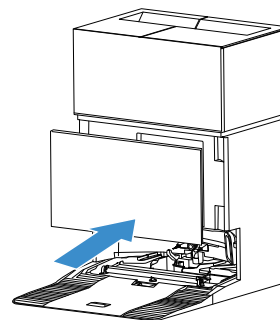


**Note:** Hold the handle to lift out the dust bag, which can effectively prevent dust leakage.

3. Clean the dust collection cabin with a dry cloth and install a new dust bag.

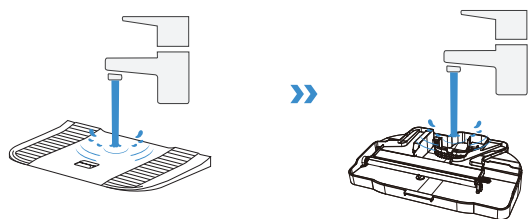
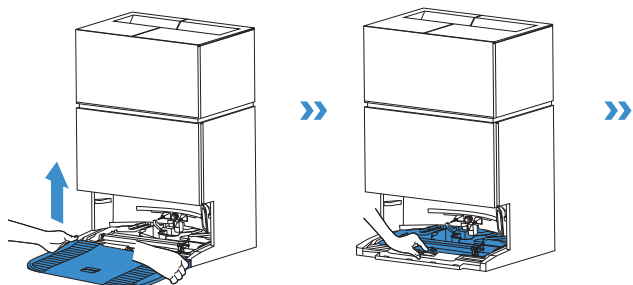


4. Insert the top latch of the dust collection cabin cover into the slot, and then press downward to ensure a proper seal.



## 2 Maintain Mop Washing Tray

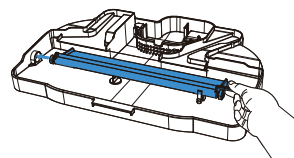
1. Remove and clean the mop washing tray and the station base.



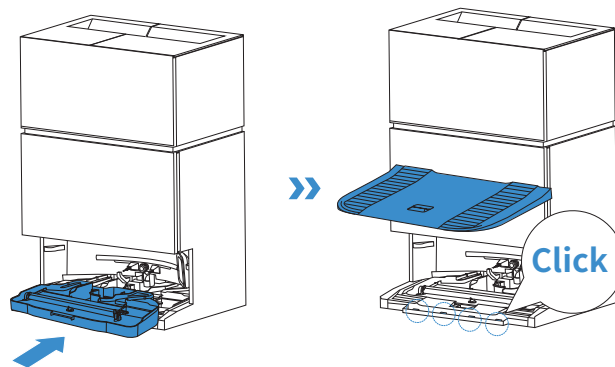
2. Remove and clean the soaking tray.



3. Install the soaking tray.



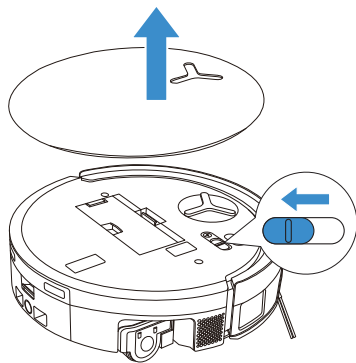
4. Install the mop washing tray and base.



**Note:** Please install the tray and base properly to prevent malfunction.

### 3 Storage

Please fully charge and switch OFF DEEBOT before storage. Please recharge it every 1.5 months to prevent the battery from over-discharging.




**!** Please note that DEEBOT cannot charge when powered OFF.


#### Note:

- After DEEBOT finishes its cleaning task, it is recommended not to power it off but to keep it charging, to better prepare for the next cleaning session.
- If the battery is over-discharged or not used for a long time, DEEBOT may not be charged. Please contact ECOVACS for help. Do not disassemble battery by yourself.
- If you do not use the product for a long time, keep the dirty water box, water tanks empty and the mop dry.

# TROUBLESHOOTING


For the following possible issue, refer to the corresponding solutions.

No.	Malfunction	Possible Cause	Solution
1	DEEBOT is not able to connect to the ECOVACS HOME App.	Incorrect Wi-Fi username or password entered.	Enter the correct Wi-Fi username and password.
		DEEBOT is not within range of your home Wi-Fi signal.	Make sure DEEBOT is within range of your home Wi-Fi signal. Try to stay as close to the router as possible.
		DEEBOT is not in the configuration state.	Press the Reset button to connect DEEBOT to your phone by Bluetooth. If it fails, please press the Reset button +  and connect via the ECOVACS HOME App.
		There is no home Wi-Fi on the Wi-Fi list.	Check if the Wi-Fi name contains special characters. Please do not use special characters like ! @#& ¥%/\. Do not use a 5 Ghz network.
		An incorrect App is installed.	Please download and install the ECOVACS HOME App.
2	Unable to create the furniture map in the App.	Moving DEEBOT when cleaning might cause the map to be lost.	During cleaning, do not move DEEBOT.
		Auto cleaning is not finished.	Make sure DEEBOT automatically returns to the OMNI Station after cleaning.
		Multi-floor mode was not enabled when the second map was created.	Please enable multi-floor mode in the App.
3	The side brush drops out of place during use.	The side brush is not properly installed.	When installing the side brush with a screwdriver, ensure the screw is tightened securely.
4	No signal found. Unable to return to the station.	The OMNI Station is incorrectly placed.	Place the station properly according to the instructions in the <a href="#">[Power on and Charge DEEBOT]</a> section.
		Station is out of power or has been moved.	Check whether the OMNI Station is connected to the power supply. Do not move the OMNI Station.
		DEEBOT does not start cleaning from the OMNI Station.	It is recommended that DEEBOT start cleaning from the OMNI Station.
		The docking route is blocked. For example, the door is closed to the room where the station is placed.	Keep the charging route clear.

No.	Malfunction	Possible Cause	Solution
5	DEEBOT returns to the OMNI Station before it has finished cleaning.	The room is so large that DEEBOT needs to return to recharge.	Please enable auto resume. For more details, please follow the App instructions.
		In highly complex home layouts, cleaning efficiency may decrease, possibly resulting in incomplete cleaning.	Simplify your home layout.
6	DEEBOT is unable to charge.	DEEBOT is not switched ON.	Switch ON DEEBOT.
		DEEBOT' s charging contacts are not connected to the OMNI station 's charging contacts.	Make sure that DEEBOT' s charging contacts have connected to the station's charging contacts and  flashes. Check whether DEEBOT' s and OMNI station's charging contacts are dirty. Please clean these parts according to the instructions in the <a href="#">[REGULAR MAINTENANCE]</a> section.
		The OMNI Station is not connected to the power supply.	1. Make sure the OMNI station is connected to power supply. 2. Once the power is connected, ensure that the motor startup sound can be heard.
		The base has not been installed in place.	Refer to the <a href="#">[Quick Start]</a> section for correct installation.
7	DEEBOT is very loud during cleaning.	The main brush/side brush is tangled, or the dust bin/ filter is blocked.	It is recommended to clean the main brush, side brush, dust bin, filter, etc. regularly.
		DEEBOT is in Strong Suction Mode or Max Suction Power Mode.	Switch to Standard Mode.
8	DEEBOT gets stuck while working and stops.	DEEBOT is tangled with objects on the floor (electrical wires, curtains, carpet fringing, etc.).	DEEBOT will try various ways to free itself. If its attempts fail, manually remove the obstacles and restart.
		DEEBOT might be stuck under furniture with an entrance of similar height.	Please raise the furniture, set a physical barrier, or set a virtual boundary via the ECOVACS HOME App.
		DEEBOT is stuck in a narrow area.	Tidy up your home, set a physical barrier, or set a virtual boundary via the ECOVACS HOME App.

No.	Malfunction	Possible Cause	Solution
9	During cleaning, DEEBOT may encounter issues like a disorderly route, biased movement, repeated cleaning over the same spots, and missing small areas. (If there is a large area that has not been cleaned temporarily, DEEBOT will automatically clean the missed area. Sometimes DEEBOT will re-enter a cleaned room, which may not be repeated cleaning, but DEEBOT finds any missed area.)	Objects such as wires and slippers placed on the ground block DEEBOT.	Before cleaning, please tidy up scattered wires, slippers, and other objects on the ground as much as possible. If there is any area missed during cleaning, DEEBOT will correct it automatically. Please refrain from interfering (such as moving DEEBOT or blocking its route).
		The driving wheels may slip on the ground when DEEBOT climbs steps, thresholds, and door bars, which can affect its judgment of the entire home environment.	It is recommended to close the door of the affected area and clean it separately. After cleaning, DEEBOT will return to its starting location.
		On freshly waxed or polished floors, as well as smooth tiles, there may be less friction between the driving wheels and the floor.	Please wait for the wax to dry before cleaning.
		Due to variations in home layouts, some areas cannot be entered by DEEBOT.	Tidy up your home to ensure that DEEBOT can enter the areas to be cleaned.
10	Delay in remote control.	The Wi-Fi signal is poor, causing the video loading to be slow.	Use DEEBOT in areas with a good Wi-Fi signal.
11	After returning to the OMNI station, DEEBOT does not empty its dust bin.	The Auto-Empty function has not been turned on in the ECOVACS HOME App.	Turn on the Auto-Empty function in the ECOVACS HOME App.
		Manually moving DEEBOT back to the station will not trigger the Auto-Empty function.	It is recommended to allow DEEBOT to return to the OMNI Station on its own. Please do not manually move it.
		In Do Not Disturb mode, DEEBOT will not empty the dust after returning to the OMNI Station.	Turn off Do Not Disturb in the ECOVACS HOME App or manually start dust-emptying.
		The station detects a decrease in empty efficiency.	Replace the dust bag according to the <a href="#">[REGULAR MAINTENANCE]</a> section and close the dust collection cabin. If the dust bag is not full when prompted by the App, you can put it back again.
		Check if the dust bin is full and causes a blockage.	Clean the dust bin according to the <a href="#">[REGULAR MAINTENANCE]</a> section.
		If the above possible causes have been ruled out, components of the station may be abnormal.	Please contact customer service for assistance.

No.	Malfunction	Possible Cause	Solution
12	Auto-Empty unsuccessful.	The station detects a decrease in empty efficiency.	Replace the dust bag according to the <a href="#">[REGULAR MAINTENANCE]</a> section and close the dust collection cabin. If the dust bag is not full when prompted by the App, you can put it back again.
		The outlet of the dust bin is blocked by foreign objects.	Remove the dust bin and clear the foreign objects on the outlet.
13	The inner side of the dust collection cabin is dirty.	Fine particles pass through the dust bag and accumulate on the inner side of the dust collection cabin.	Clean the inner side of the dust collection cabin.
		The dust bag is broken.	Check and replace the dust bag.
		The dust bag is not properly installed.	Please install the dust bag properly.
		The dust collection cabin cover is not closed.	Please check if the dust collection cabin cover is closed properly.
14	Dust leakage occurs while DEEBOT is working.	The outlet of the dust bin is blocked by foreign objects.	Remove the dust bin and clear the foreign objects on the outlet.
15	The roller mop does not rotate.	The roller mop is not correctly installed.	Install the roller mop properly according to the <a href="#">[REGULAR MAINTENANCE]</a> section.
		The roller mop is blocked by foreign objects.	Clean and install the roller mop properly according to the <a href="#">[REGULAR MAINTENANCE]</a> section.
16	The driving wheel is stuck.	The driving wheel is entangled or stuck due to foreign objects.	Rotate and press the driving wheel to check for any wrapping or obstruction by foreign objects. If any foreign objects are found, please clean them promptly. If this issue persists, please contact customer service for assistance.

No.	Malfunction	Possible Cause	Solution
17	The mop washing tray is full of water and cannot be emptied. A voice prompt reports the mop washing tray malfunction.	The dirty water tank is not properly installed.	Tap down on the dirty water tank to ensure it is properly installed.
		The sealing plugs in the dirty water tank are not installed properly.	Make sure that the two sealing plugs are properly installed.
		The mop washing tray is not properly installed.	Check and ensure the mop washing tray is properly installed.
		The mop washing tray base gets dirty.	Detach and wash the mop washing tray base with water.
		Check if the floating ball gets stuck when there is no water in the mop washing tray base.	Take out the mop washing tray to put the floating ball back in place.
		The OMNI Station cannot drain water normally.	Place DEEBOT in the station. After ensuring it's charging, double tap  . If the issue persists, please contact customer service for assistance.
		The suction port of the mop washing tray is blocked by foreign objects.	Ensure that there is no foreign object in the suction port of the mop washing tray.
		The voice alert persists after all the above solutions are tried.	Power off and on the station. If this issue persists, please contact customer service for assistance.
18	Dirty water box malfunction or frequent auto-wash.	The dirty water box is overly laden with dust.	Remove and empty the dirty water box , and then rinse it and reinstall. If this issue persists, please contact customer service for assistance.
		The drip tray is overly laden with dust.	Remove and empty the drip tray, and then rinse it and reinstall. If this issue persists, please contact customer service for assistance.

**Please contact our customer service for assistance if the problem persists despite the recommended solutions.**

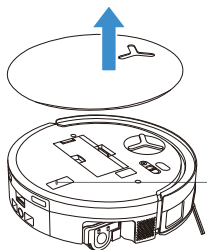
## TECHNICAL SPECIFICATIONS

<b>Model</b>	<b>DEX99-1</b>		
Rated Input	16.4 V === 3 A	Fast Charge Input	16.4 V === 9.5 A
Charging Time	about 4.0 h		
<b>Station Model</b>	<b>CH24C0</b>		
Rated Input	220-240 V ~ 50-60 Hz		
Nominal Charge Output	16.4 V === 3 A	Fast Charge Output (Short Time)	16.4 V === 9.5 A
Rated Input Current (Charging)	1.5 A	Power (Emptying)	650 W
Power (Hot Water Washing Mop)	2200 W		
Frequency Bands	2400-2483.5 MHz		
Networked Standby Power	Less than 2.00 W		

The output power of the wireless module is less than 100 mW.

Note: Technical and design specifications may be changed for continuous product improvement.

Explore more accessories at <https://www.ecovacs.com>.



Please use the mobile camera to scan the QR code and obtain the user guide.

## 重要安全說明

### 重要安全說明

使用電器設備時，應務必遵守基本注意事項，包括下列各項

### 使用本裝置前請閱讀所有說明 保存這些說明

1. 除非有負責其安全者監督或解說如何使用本產品，否則兒童以及生理、感官或精神能力不足或缺乏相關經驗與知識者，不可使用本產品。
2. 請看好兒童，確保他們不會將本產品當作玩具。
3. 清理要清潔的區域。從地板上拆下可能纏繞產品的電源線及細小物件。把地毯邊緣塞到地毯底座的，並把窗簾和桌布等物品由地板上掀起。
4. 如果由於台階或樓梯導致清潔區域掉落，您應讓產品運作以確保它能夠檢測到台階而不會由邊緣掉落。可能需要在邊緣放置屏障以防止部件掉落。確保屏障沒有絆倒危險。
5. 只能按照本手冊中的說明使用。僅使用製造商推薦或銷售的附加配件。
6. 僅供室內家庭使用。請勿在室外、商業或工業環境中使用本產品。
7. 請勿在未安裝塵盒和 / 或濾網的情況下使用。
8. 請勿在點燃的蠟燭或易碎物品的區域運作產品。
9. 保持頭髮、寬鬆衣服、手指和身體的所有部位遠

離任何開口和移動部件。

10. 請勿在嬰兒或兒童睡覺的房間內運作本產品。
11. 請勿在極熱或極冷的環境中使用和儲存（低於  $-5^{\circ}\text{C}/23^{\circ}\text{F}$  或高於  $40^{\circ}\text{C}/104^{\circ}\text{F}$ ）。請在高於  $0^{\circ}\text{C}/32^{\circ}\text{F}$  及低於  $40^{\circ}\text{C}/104^{\circ}\text{F}$  的溫度下為機械人充電。
12. 請勿在潮濕或有積水的表面上使用產品。
13. 請勿讓產品拾取大型物件，如石頭、大片紙張或任何可能堵塞產品的物品。
14. 請勿使用本產品拾取易燃或可燃物料，例如汽油、打印機或影印機碳粉，或可能存在這些物料的区域使用。
15. 請勿使用本產品拾起任何燃燒或冒煙的東西，例如香煙、火柴、熱灰燼或任何可能引起火災的東西。
16. 請勿將物件放入吸口。如果吸口堵塞，請勿使用。保持吸口沒有灰塵、棉絨、頭髮或任何可能減少氣流的東西。
17. 如果電源線損壞，必須由製造商或其服務代理更換，以免發生危險。
18. 在清潔或維護產品之前，請關閉電源。
19. 適用於 CH24C0 的鋰電池類型最多為 4 枚，最大額定電壓 DC 14.4V，額定容量 5,800mAh。處置產品之前，必須根據當地法律法規把電池取出並丟棄。
20. 請根據當地法律法規處置廢舊電池。
21. 即使產品嚴重損壞，亦切勿焚燒產品。如遇上

- 火災，電池可能會爆炸。
22. 必須按照本說明書中的指示使用產品。  
Ecovacs Home Service Robotics 不因使用不當造成的任何損害或傷害而承擔責任或負責。
  23. 機械人包含只能由技術人員更換的電池。如要更換機械人的電池，請聯絡客戶服務部。
  24. 請確保您的電源電壓與 OMNI 基站上標示的電源電壓相符。
  25. 僅使用製造商提供的原裝充電電池和產品隨附的 OMNI 基站。禁止使用不可充電電池。
  26. 注意切勿損壞電源線。請勿透過電源線拉扯或攜帶產品或 OMNI 基站，請勿將電源線用作把手，關閉電源線上的門，或將電源線拉到鋒利的邊緣或角落。請勿透過電源線運作產品。保持電源線遠離熱表面。
  27. 如果 OMNI 基站損壞，請勿使用。如果電源損壞或有缺陷，則不得修理，也不得再使用。
  28. 請勿在損壞的電源線或插座下使用。如果產品或 OMNI 基站工作有異、跌落、損壞、留在戶外或與水接觸，請勿使用。為避免危險，必須由製造商或其服務代理進行維修。
  29. 在清潔或維護 OMNI 基站之前，必須從插座拔出插頭。
  30. 從 OMNI 基站中取出產品，並在取出電池以處理產品之前關閉產品的電源。
  31. 長時間不使用 OMNI 基站時，請拔出插頭。

32. 如果機械人長時間不使用，請關閉機械人電源作存放並拔下 OMNI 基站的插頭。
33. 警告 - 僅把清水加入到乾淨的水箱中。
34. 警告：為了令電池進行充電，只能使用隨產品提供的可拆卸式電源產品 CH24C0。

為滿足射頻暴露要求，在裝置運作過程期間，本裝置與人員之間應保持 20 厘米或更遠的距離。

為確保合規性，建議不要在更近的距離內進作。用於此發射器的天線不得與任何其他天線或發射器放於同一位置。

### 裝置更新

一般而言，某些裝置每兩個月會更新一次，但並不實際更新時間或有變。

部分裝置（尤其是那些三年多前開始銷售的裝置）只有在發現並修復嚴重漏洞之後才會更新。

	注意：表面高溫
	短路防護安全隔離變壓器
	交換式電源供應器
	僅供室內使用
	直流電
	交流電
	充電前，請閱讀說明。
	充電端口的正負極方向
	延時微型保險絲



商品或其包裝上的符號，表示使用過的電器及電子產品不應與未分類的城市垃圾放在一起。為了得到適當的處理，您有責任安排將廢棄裝置送回指定的收集點進行處理。

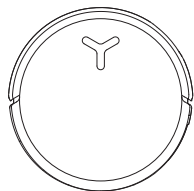
正確處置本產品將有助於節省寶貴的資源，並防止對人類健康和環境產生任何潛在的負面影響，而這些影響可能會因廢物處理不當而產生。

如要退回您用過的裝置，請使用退貨和收集系統或聯絡購買產品的零售商（相關服務費用全免），請聯絡您當地的部門以獲取離您最近的指定收集點的更多詳細資訊。

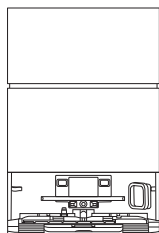
根據您所在國家 / 地區的法律，不正確處理此類廢物可能會受到處罰。

# 包裝內容

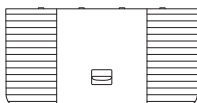
## ① 包裝內容



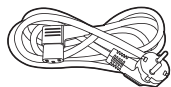
DEEBOT



OMNI 基站



底座



電源線



說明書



護角

### 注意:

\* 貼心贈送護角一對，安裝後可提升使用安全，緩和邊角觸感。安裝方法：將護角內槽對準機器邊角按壓即可，適用所有機型邊角。

\* 本手冊中的數字僅供參考，可能與產品有所不同。產品設計和規格如有更改，恕不另行通知。

## ② 產品圖

### 1. DEEBOT 前視圖

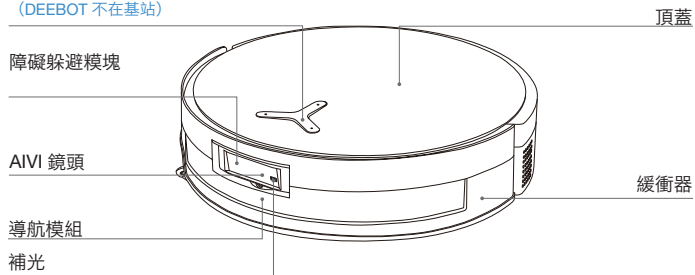
DEEBOT 上的掣：

按下：切換開始 / 暫停

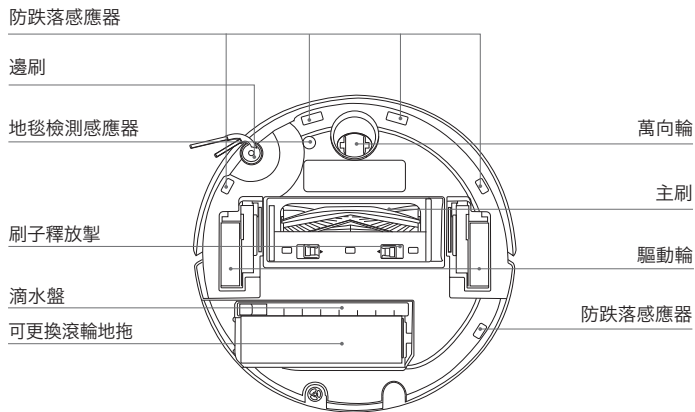
按住 3 秒：返回基站

按兩下：釋放 / 縮回地拖

(DEEBOT 不在基站)



### 2. DEEBOT 底視圖

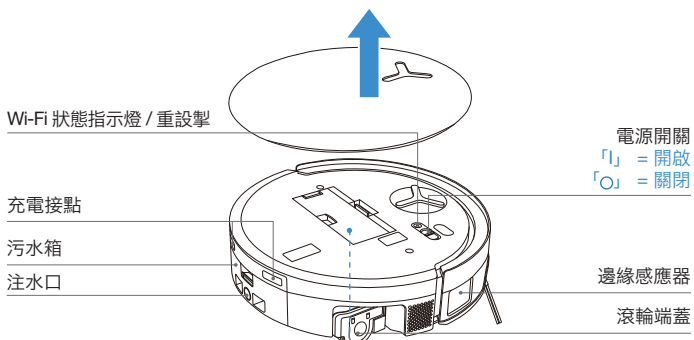


### 3. DEEBOT 內部 (頂蓋下)

重設掣

網絡設定：按下重設掣，會聽到語音提示把 DEEBOT 連接到 App。

還原預設設定：按住重設掣 5 秒鐘。聽到語音提示之後，會播放啟動音樂，DEEBOT 會還原為預設設定。使用此功能時請小心操作。



### 4. 塵盒

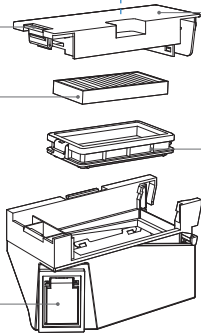
濾網扣件

塵盒蓋

濾網

濾網支架

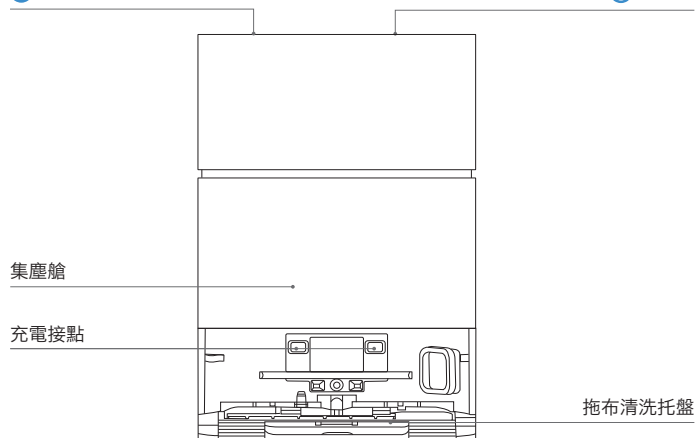
塵埃排出口



### 5. OMNI 基站前視圖

污水箱

淨水箱

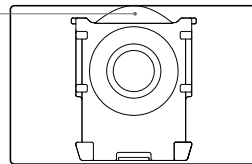


注意：

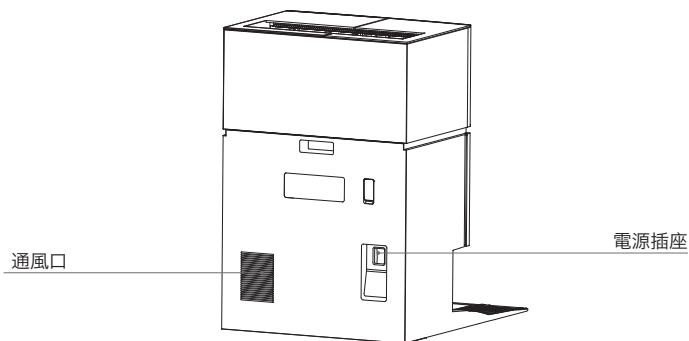
- 橙色閃爍燈：請檢查 ECOVACS HOME 應用程式以了解故障原因。
- 如果 DEEBOT 無法充電，請用乾淨的乾布擦拭充電接點。

### 6. 塵袋

塵袋手柄



## 7. OMNI 基站後視圖



## 8. DEEBOT 指示燈

燈光效果	狀態
白呼吸燈	充電
實心白	完成充電 / 運作中
實心紅	電池電量低
紅色閃爍燈	DEEBOT 提示
橙色閃爍燈	基站提示

## 9. 感應器概述

名稱	功能描述
導航模組	激光測距用於根據反射的時間差測量 DEEBOT 與周圍物件之間的距離。允許模組在 DEEBOT 移動時與周圍的物件進行建圖。檢測範圍為 10 米。
障礙躲避模塊	紅外測距及類似的三角形用於測量周圍物件與 DEEBOT 之間的距離。當感應器檢測到附近有物件時，DEEBOT 會自動轉彎以避免與物件碰撞。檢測範圍為 0.3 米。
防跌落感應器	利用飛行時間 (dToF) 原理，位於 DEEBOT 底部的 dToF 感應器連續測量 DEEBOT 與地面之間的距離。同時，底部的紅外感應器使用紅外測距技術檢測距離。當前方有樓梯時（如白色表面高度 $\geq 55$ 毫米，或黑色表面高度 $\geq 30$ 毫米時），且識別出的高度超過預設高度時，DEEBOT 不會向前移動，實現防摔功能。
地毯檢測感應器	感應器發射 300 kHz 的超聲波，其能量將被地毯吸收，導致回波能量低於閾值。因此，DEEBOT 可以檢測到地毯的存在。在 ECOVACS 實驗室中，已確定市場上 50 多種類型的地毯。
防撞感應器	憑藉光耦開關的原理，DEEBOT 會在它們即將碰撞時避開障礙物。
邊緣感應器	透過紅外測距，邊緣感應器檢測 DEEBOT 與側面物件之間的距離。當右側有牆壁或障礙物時，DEEBOT 會進行邊緣清潔，以避免遺漏任何點並防止碰撞。
AI 鏡頭	使用 AI 鏡頭收集周圍環境的圖像。實現影片錄製。透過與 MIC 互動，實現遙距視像對話。
麥克風	麥克風透過人聲在空氣中傳播引起的振膜振動來捕獲聲音。這讓錄音和語音控制能夠透過聲波模型的收集及算法來指導 DEEBOT 完成所分配的工作。有效聲波距離為 5 米。

# 初始設定和使用

## 1 清潔前的注意事項

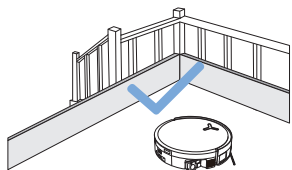


### 整理要清潔的區域

為了盡可能擴大清潔區域，請在使用 DEEBOT 之前把家具（例如桌椅及座地風扇）放到適當的位置，並收起貼近地面擺放的物品，例如體重秤。



清除地板上的物件，包括電纜、衣服和拖鞋，以提高清潔效率。

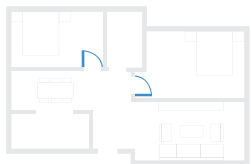


### 防止DEEBOT掉落

在突然高度下降的邊緣放置屏障，例如樓梯和台階，以防止 DEEBOT 由邊緣掉落。



在帶有流蘇邊緣的地毯上使用該產品之前，請把流蘇摺疊到地毯底下。

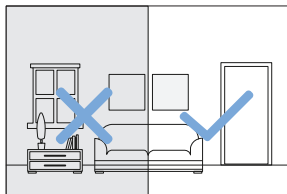


### 打開房門，以助DEEBOT探索

打開所有房間的門，以助 DEEBOT 於第一次使用時充分探索您的房子。



請不要站在狹窄的空間，例如走廊，以免擋住導航模組。



### 提供充足的照明

確保所有清潔區域光線充足，以助 DEEBOT 的 AI 鏡頭準確避開鞋子、襪子及電線等障礙物。



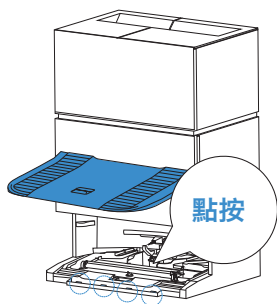
確保 DEEBOT 的視野清晰，避免 AI 鏡頭被指紋或油漬刮到或弄污。使用乾淨的軟布擦拭鏡頭，避免使用清潔液、清潔劑或噴霧。

## ② 快速開始

使用產品前請除去所有保護物料。

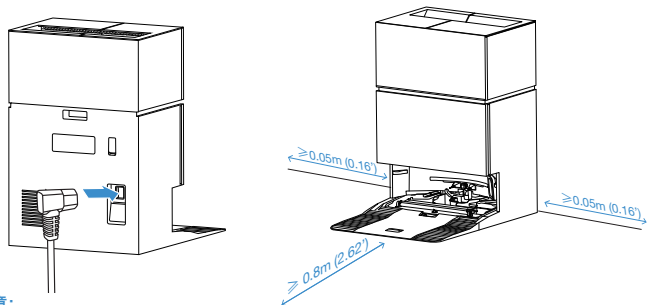
### 1. 基站安裝

聽到「咔嚓」一聲，即表示已妥善安裝。



### 2. 組裝及放置基站

把OMNI基站靠牆放在平坦且堅硬的表面上。請勿把物品放置在兩側0.05米及前方0.8米的範圍內。



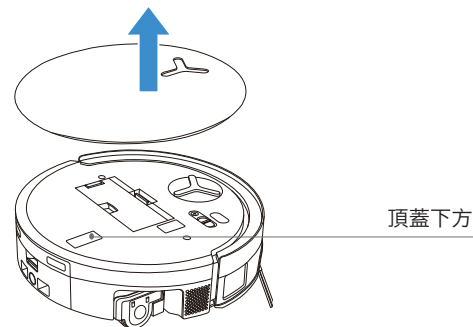
#### 注意：

- 如果基站附近有鏡子及反光踢腳線等反光物件，則應覆蓋此類物件的底部 14 厘米。
- 請勿把基站置於陽光直射或高溫環境中。
- 把站點放置在 Wi-Fi 訊號較強的位置，以獲得更好的使用者體驗。

## ③ 下載 ECOVACS HOME 應用程式

如要享用所有提供的功能，建議您透過 ECOVACS HOME 應用程式控制您的 DEEBOT。

掃描頂蓋下的 QR 碼下載應用程式。




或前往 App Store 或 Google Play 搜尋「ECOVACS HOME」下載該應用程式。



注意：按照 App 上的提示完成註冊、登入及連接。

## 4 把 DEEBOT 與 APP 連接

**透過藍牙：** 開啟 DEEBOT 及您的手機藍牙。允許 App 獲取手機藍牙權限。點按掃描 DEEBOTQR 碼或點按  或 **新增** 在應用程式中尋找附近的 DEEBOT。


**透過 Wi-Fi：** 您亦可根據 App 上的提示，選擇透過其他方式將 DEEBOT 與 App 連接。  
注意：請透過藍牙連接以獲得更佳體驗。

**注意：** 請透過藍牙連接以獲得更佳體驗。

### Wi-Fi 網絡要求：

- 您使用的是 2.4GHz 或 2.4/5 GHz 混合網絡。
- 您的路由器支援 802.11b/g/n 同 IPv4 協定。
- 請勿使用 VPN（虛擬專用網絡）或代理伺服器。
- 請勿使用隱藏的網絡。
- 使用經 TKIP、PSK、AES/CCMP 加密的 WPA 及 WPA2。
- 不支援 WEP EAP（企業身份驗證協定）。
- 在北美使用 Wi-Fi 頻道 1-11，在北美以外使用 1-13 頻道（請諮詢當地監管機構）。
- 如您使用的是網絡擴展器 / 中繼器，則網絡名稱 (SSID) 及密碼與您的主網絡相同。
- 請在路由器上啟用 WPA2。

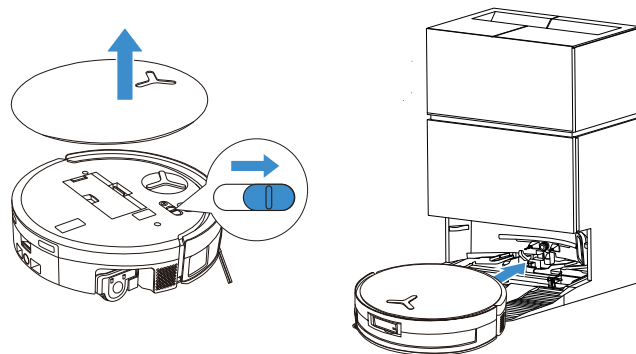
### Wi-Fi 指示燈

	白光慢閃	已中斷 Wi-Fi 連接
	白光快閃	連接
	穩定的白光	連接至 Wi-Fi

請注意，遙距啟動、語音互動、2D/3D 地圖顯示和控制設定以及個人化清潔（取決於產品）等智能功能需要不斷更新的 ECOVACS HOME 應用程式。您需要同意我們的私隱政策和使用者協議，以便我們可以處理您的一些必要資訊，然後您就可以使用 ECOVACS HOME 應用程式的某些功能來控制產品。如果您不同意我們的私隱政策和使用者協議，則有關功能將無法使用。但是，您仍然可以使用此產品的基本功能進行手動操作。

## 5 開機並為 DEEBOT 充電

開啟 DEEBOT 蓋下的電源掣（「**J**」 = 開啟，「**O**」 = 關閉），並將 DEEBOT 放置在連接電源的基站前面。使用 ECOVACS HOME 應用程式或語音控制調用 DEEBOT，或壓住  在 DEEBOT 上 3 秒，令 DEEBOT 停靠並充電。

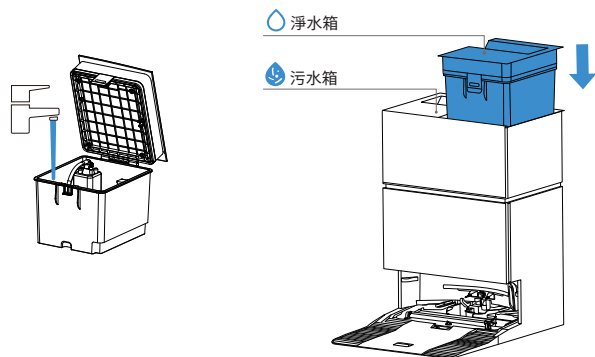


### 注意：

- 當電源關閉時，DEEBOT 無法充電。
- 清潔之後，建議保持 DEEBOT 開機和充電，以確保為下一次清潔做好準備。
- 請由基站開始清潔。清潔時請勿移動基站。

## ⑥ 注滿淨水箱

取出淨水箱，打開水箱蓋，並向水箱注水。關閉水箱蓋並重新裝上淨水箱。

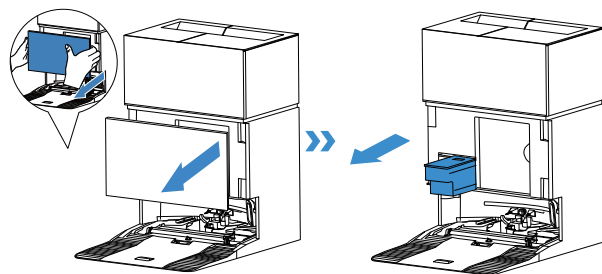


### 注意：

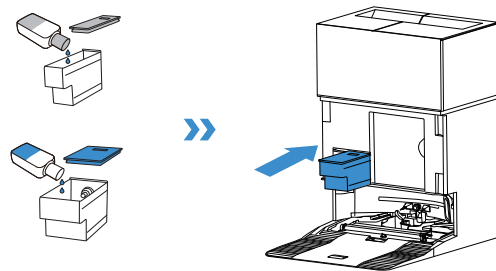
- 僅使用 ECOVACS DEEBOT 清潔液以避免故障。
- 在將水箱放置到位之前，請使用乾淨的乾布抹去水箱表面的任何水漬。
- 使用前請務必鎖緊水箱的頂蓋。
- 水箱中的任何水印均來自功能測試。請放心使用。

## ⑦ 加入清潔液（單獨出售）

1. 拆下集塵艙蓋，拉出兩個清潔液盒，將它們放在水平、堅硬的表面上。



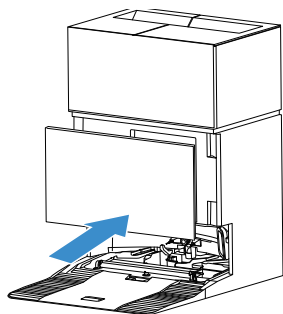
2. 拆下清潔液槽蓋，拉出兩個清潔液盒。把標準清潔液倒入藍色盒子內，把強效清潔液倒入黑色盒子中。固定箱蓋之後，把它們推回基站並關上水箱蓋。



### 注意：

- 請勿把清潔液倒入淨水箱中。將其加入到清潔液箱子中。否則，不正確的比例可能會導致泡沫過多並降低清潔效果。

3.放回集塵艙蓋並用力按壓蓋以將其固定到位。



**注意：**

- 為了提供更佳的效能及延長產品使用壽命，請使用 ECOVACS DEEBOT 清潔液（單獨出售）。
- 請確保沒有異物掉入清潔液盒中。

## 8 操作 DEEBOT 進行清潔


### 1. 開始建圖

第一次繪製地圖時，請跟隨 DEEBOT 的指示以助解決一些小問題。例如，DEEBOT 可能會卡在家具下。請參考以下解決方案：


- ① 在可行情況下抬高較矮的家具；
- ② 覆蓋家具的底部；
- ③ 透過 App 設定虛擬邊界。

### 2. 開始清潔


- DEEBOT 的水箱會透過基站自動重新加注。不需要手動重新加注。
- 拖地時，DEEBOT 會識別地板類型，並在遇到地毯時自動抬起地拖。請勿在毛茸茸的地毯或纖維長度超過 10 毫米的地毯上使用 DEEBOT。建議在清潔過程中摺疊纖維長度超過 10 毫米的毛茸茸的地毯，或透過在 ECOVACS HOME 應用程式中設定虛擬邊界把毛茸茸的地毯區域設定為禁止進入區域。

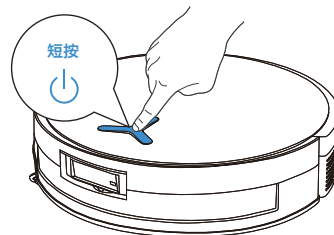
首次清潔前，請確保 DEEBOT 在站內並已充滿電。點按 DEEBOT 上的  以啟動。您還可以使用 ECOVACS HOME 應用程式或語音控制以開始使用。

### 3. 暫停

點按 DEEBOT 上的  以在運作期間暫停。您還可以使用 ECOVACS HOME 應用程式或語音控制來暫停 DEEBOT。

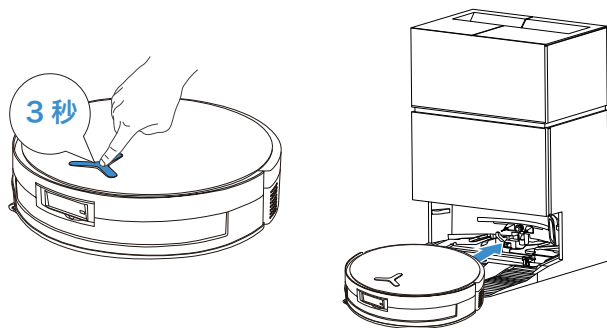
### 4. 喚醒

暫停片刻之後，DEEBOT 上的所有指示燈都會熄滅。如要喚醒 DEEBOT，請按 .



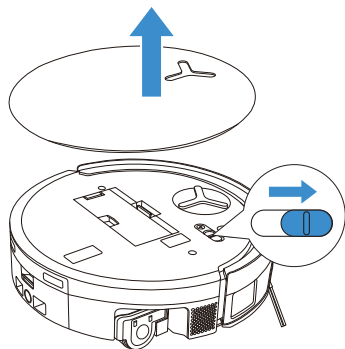
## 5. 返回基站

使用 ECOVACS HOME 應用程式或語音控制調用 DEEBOT，或按住  DEEBOT 上的掣 3 秒，令 DEEBOT 停靠並充電。



## 6. 深度睡眠模式

如果 DEEBOT 在站外停留約 10 個小時以保護電池，它將進入深度睡眠模式。請關閉和開啟以喚醒 DEEBOT。



當啟用瞬快超充時，DEEBOT 會於返回基站約 5 分鐘後進行快速充電。其後會切換至標準充電模式，並在充滿電後隨即自動停止。

## 定期維護

### ① 維護頻率

為使 DEEBOT 保持最佳效能，請按以下頻率進行維護和更換部件：

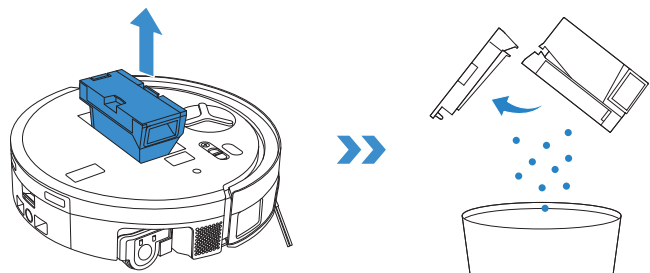
部件	維護頻率	更換
可水洗滾輪地拖	/	每 1-2 個月
滴水盤	每周	/
污水箱	每周	/
塵袋	/	當 App 彈出通知訊息時
邊刷	每兩周	每 3-6 個月
主刷	每周	每 6-12 個月
濾網	每周	每 3-6 個月
邊緣感應器 萬向輪 防跌落感應器 緩衝器 DEEBOT 上的充電接點 OMNI 基站上的充電接點 導航模組 障礙躲避模塊 AIVI 鏡頭	約 每月	/
淨水箱	每 3 個月	/
污水箱	每月	/
機身和底部	每月	/
拖布清洗托盤	每 5 個月	/
清潔液裝置	每月	/

注意：在 ECOVACS HOME 應用程式或 <https://www.ecovacs.com>。

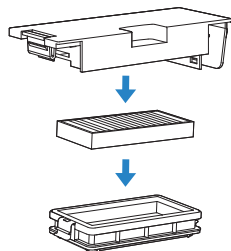
# DEEBOT 維護

## ① 維護塵盒和濾網

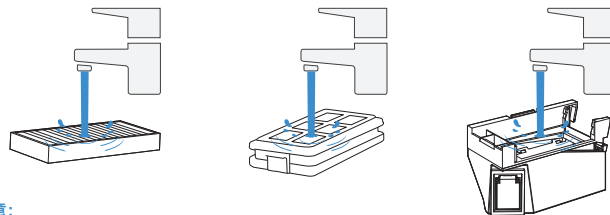
1. 拆下塵盒，然後清空。



2. 開啟濾網並拆下濾網。



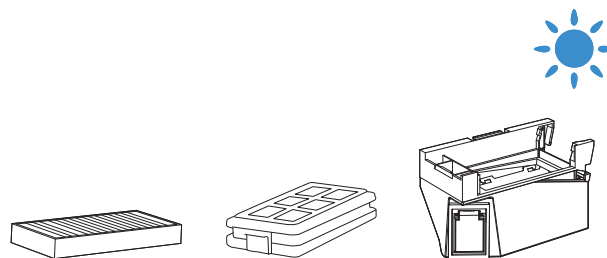
3. 用水沖洗塵盒和過濾，抹乾水滴。



注意：

- 請如圖所示用水沖洗濾網。
- 請勿使用手指或刷子清潔濾網。

4. 風乾塵盒和濾網。



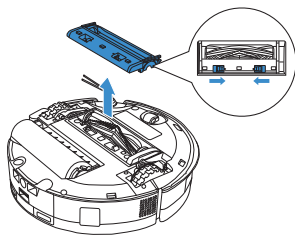
注意：使用前將組件完全晾乾。

## ② 維護主刷及邊刷

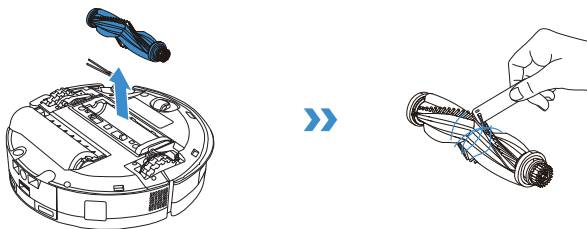
### 清潔主刷。

1. 拆下主刷上的蓋。

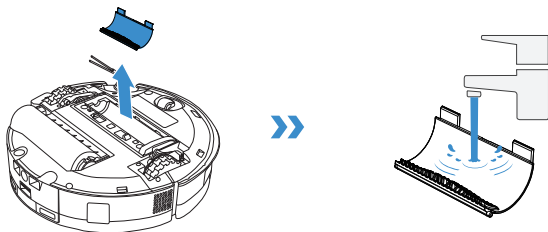
注意：將 DEEBOT 倒轉前，請清空污水箱及滴水盤中剩餘的水。



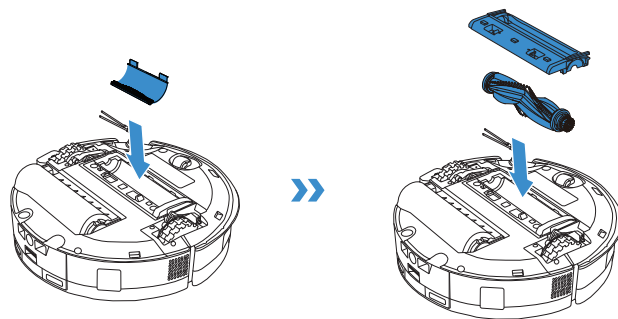
2. 拆下並清潔主刷。



3. 拆下、清潔並抹乾刷子梳。

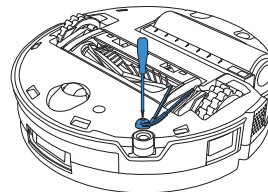


4. 安裝刷梳、主刷和蓋子。



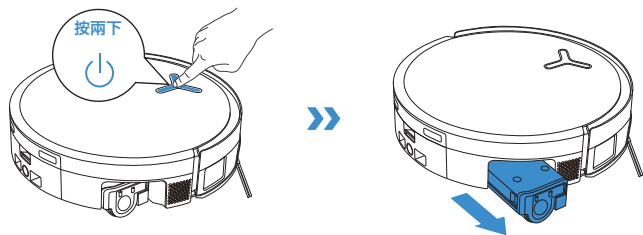
### 清潔邊刷

用螺絲批拆下邊刷並清潔。



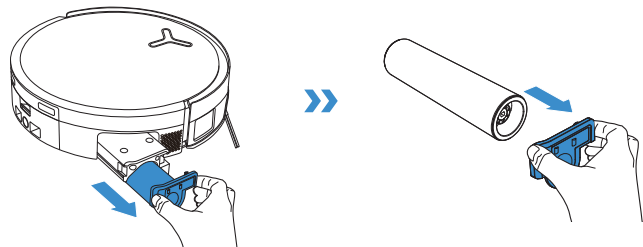
### 3 維護滾輪地拖

1. 按兩下  掣釋放滾輪地拖組件。

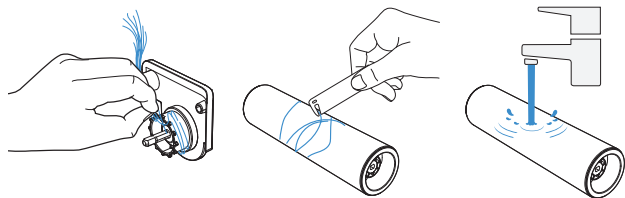


**注意：**請勿在滾輪縮回時用力拉動滾輪，因為可能會損壞滾輪地拖組件。

2. 按下橫向解鎖掣，拆下滾輪。




3. 清潔滾筒地拖。

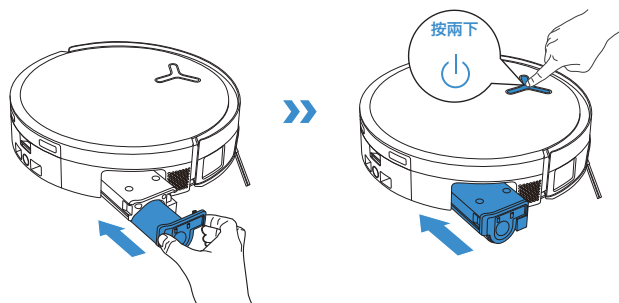


4. 清潔滾筒內部。



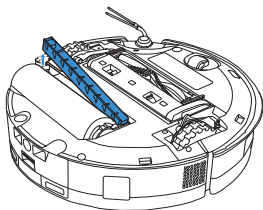
**注意：**請勿用水清洗DEEBOT。

5. 將滾輪地拖推入滾輪端蓋，然後按兩下  掣收回。



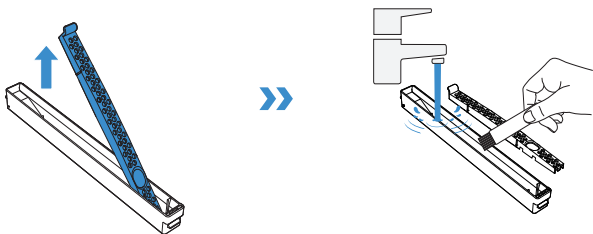
## 4 保持滴水盤清潔

1. 拆下滴水盤。

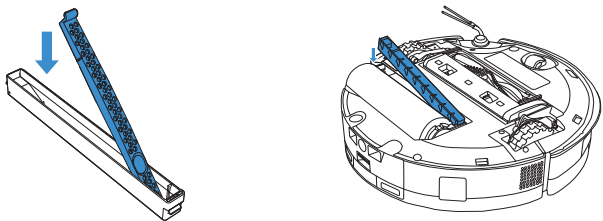


**注意：**如果DEEBOT未處於乾燥模式，翻轉DEEBOT時可能會漏出少量殘留水。

2. 拆下並清潔滴水盤組件。

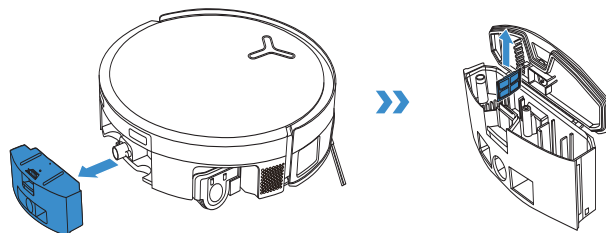


3. 請如圖所示安裝滴水盤濾網組件。

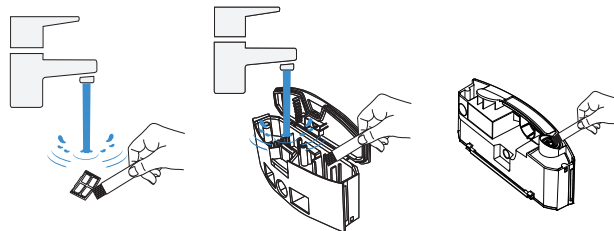


## 5 維護污水箱

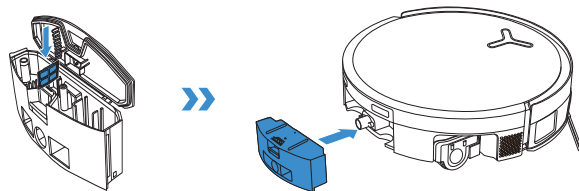
1. 拆下污水箱及濾網。



2. 清潔濾網、箱子和排污口。



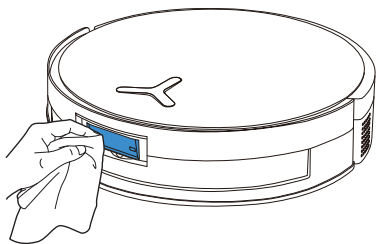
3. 重新安裝濾網，用力按壓，然後重新安裝污水箱蓋。



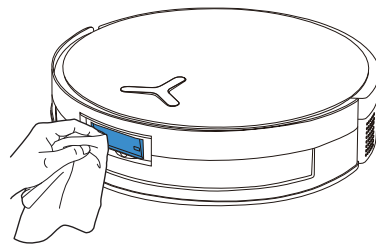
沿導覽指示用力按壓污水箱蓋，直到其平面與水箱的上邊緣完全齊平，以確保密封緊密。

## 6 維護其他組件

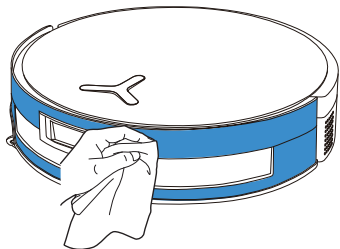
### 清潔障礙躲避模塊鏡頭



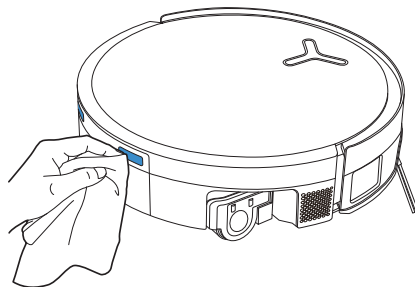
### 清潔導航模組



### 清潔緩衝器



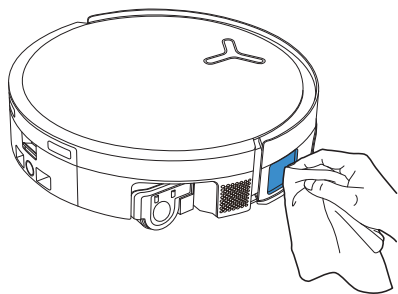
### 清潔充電接點



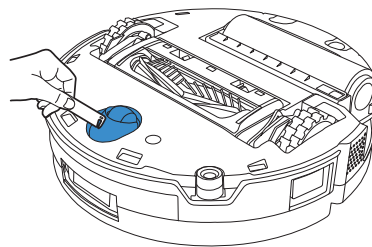
**注意：**清潔防跌落感應器和緩衝器時，請使用乾布，以防止水損壞。

**注意：**充電接點包含敏感的電子元件。用乾布清潔。請勿使用濕布，以免進水損壞。

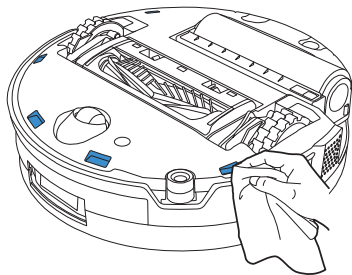
### 清潔邊緣感應器



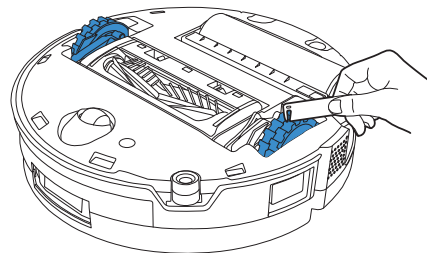
### 清潔萬向輪



### 清潔防跌落感應器



### 清潔驅動輪

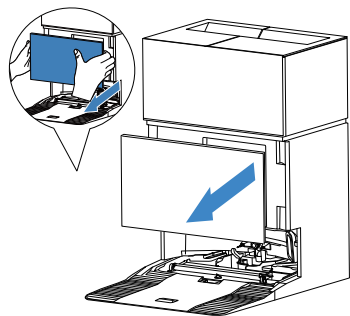


**注意：**清潔充電接點時，請使用乾布，以防止水損壞。

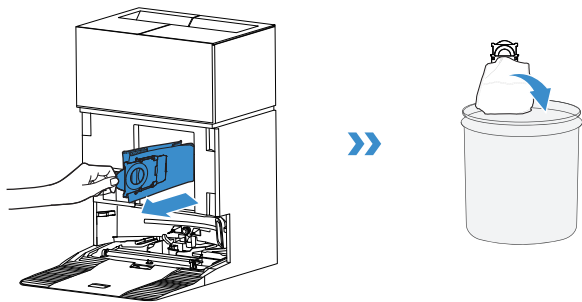
## 基站維護

### ① 維護塵盒

1. 取下集塵艙外蓋。

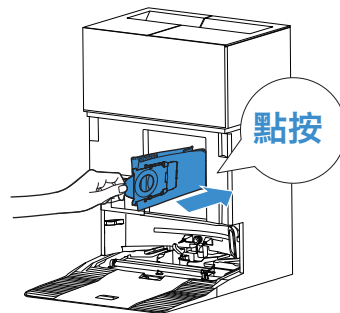


2. 按箭嘴方向取出一次性塵袋並丟棄。

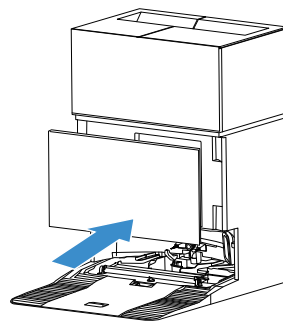


**注意：** 握住把手將塵袋提起，可有效防止粉塵洩漏。

3. 用乾布將集塵艙擦拭乾淨後，再裝入新的集塵袋。

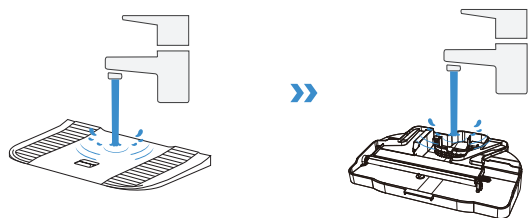
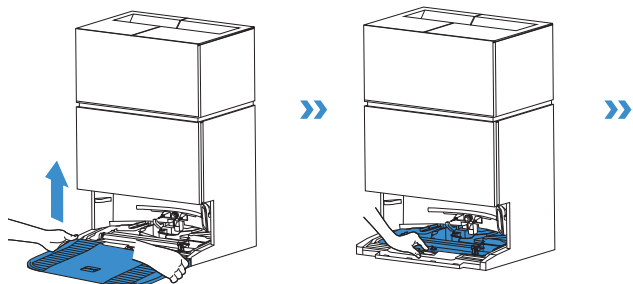


4. 將集塵艙外蓋的頂部卡榫插入槽中，然後向下按壓，確保正確密封。



## ② 維護拖布清洗托盤

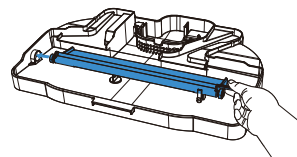
1. 拆下並清潔拖布清洗托盤和基座。



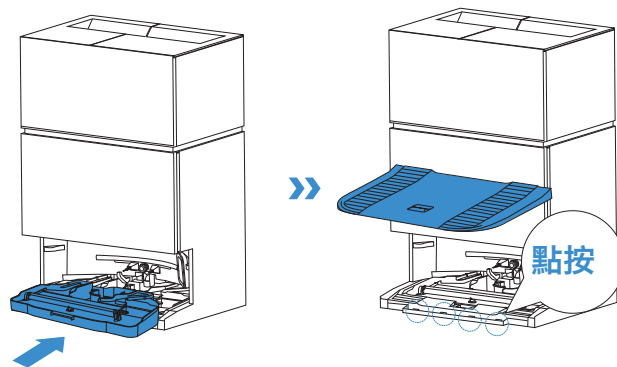
2. 拆下並清潔浸泡盤。



3. 安裝浸泡盤。



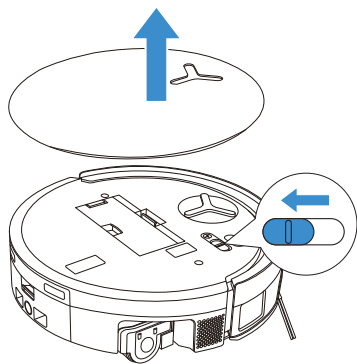
4. 安裝拖布清洗托盤和底座。



注意：請正確安裝托盤和底座以防止故障。

### ③ 儲存

存放前請充滿電並關閉 DEEBOT。請每個半月充電一次，以防止電池過度放電。



**!** 請注意，DEEBOT 在關機時無法充電。


#### 注意：

- DEEBOT完成清潔任務之後，建議切勿關機，而是保持充電狀態，以便更好地為下一次清潔作準備。
- 如果電池過度放電或長時間不使用，則可能無法為DEEBOT充電。請聯絡ECOVACS尋求幫助。請勿自行拆卸電池。
- 如果長時間不使用該產品，請保持污水箱、水箱為空並抹乾地拖。

## 故障排除


對於以下可能的問題，請參考相應的解決方案。

編號	故障	可能的原因	溶液
1	DEEBOT 無法連接到 ECOVACS HOME 應用程式。	輸入的 Wi-Fi 使用者名稱或密碼不正確。	輸入正確的 Wi-Fi 使用者名稱和密碼。
		DEEBOT 不在您的家庭 Wi-Fi 訊號範圍內。	確保 DEEBOT 在您的家庭 Wi-Fi 訊號範圍內。盡量靠近路由器。
		DEEBOT 未處於配置狀態。	按下重設掣，透過藍牙將 DEEBOT 連接到您的手機。如果失敗，請按重設掣 +  ，並透過 ECOVACS HOME 應用程式連接。
		Wi-Fi 選單中沒有家庭 Wi-Fi。	檢查 Wi-Fi 名稱是否包含特殊字符。請不要使用特殊字符，如 ! @#& ¥%/^。勿使用 5 Ghz 網絡。
		安裝的應用程式不正確。	請下載並安裝 ECOVACS HOME 應用程式。
2	無法在 App 中繪製家具地圖。	清理時移動 DEEBOT 可能會導致地圖遺失。	清潔時，請勿移動 DEEBOT。
		自動清潔未完成。	確保 DEEBOT 在清潔後自動返回 OMNI 基站。
		繪製第二個地圖時，未啟用多層模式。	請在應用程式中啟用多層模式。
3	邊刷在使用過程中會脫落。	邊刷未正確安裝。	用螺絲批安裝邊刷時，請確保螺絲牢固鎖緊。
4	找不到訊號。無法返回基站。	OMNI 基站放置不正確。	根據 [開機和充電 DEEBOT] 部分的指示妥善放置基站。
		基站沒有電或已被移動。	檢查 OMNI 基站是否已連接到電源。請勿移動 OMNI 基站。
		DEEBOT 不會由 OMNI 基站開始清潔。	建議 DEEBOT 由 OMNI 基站開始清潔。
		停靠路線被阻擋。例如，大門在基站位置旁。	保持充電路線暢通。

編號	故障	可能的原因	溶液
5	DEEBOT 在完成清潔之前返回 OMNI 基站。	房間太大了，DEEBOT 需要返回充電。	請啟用自動還原。有關更多詳細資訊，請按照應用程式的說明操作。
		在高度複雜的家居布局中，清潔效率可能會降低，從而導致清潔不徹底。	簡化您的家居布局。
6	DEEBOT 無法充電。	DEEBOT 未開啟。	開啟 DEEBOT。
		DEEBOT 的充電接點未連接到 OMNI 基站的充電接點。	確保 DEEBOT 的充電接點已連接到充電站的充電接點，並且  閃爍。檢查 DEEBOT 及 OMNI 基站的充電接點是否有污跡。請按照 [ <a href="#">定期維護</a> ] 部分的指示清潔這些部件。
		OMNI 基站未連接電源。	1. 確保 OMNI 基站已連接電源。 2. 接通電源之後，確保可以聽到摩打的啟動聲音。
		底座尚未妥善安裝。	請參閱 [ <a href="#">快速開始</a> ] 部分進行正確安裝。
7	DEEBOT 在清潔過程中會發出較大聲音。	主刷 / 邊刷纏結，或垃圾桶 / 濾網堵塞。	建議定期清潔主刷、邊刷、垃圾桶、濾網等。
		DEEBOT 處於強吸力模式或最大吸力模式。	切換到標準模式。
8	DEEBOT 於工作時卡住並停止。	DEEBOT 與地板上的物件（電線、窗簾、地毯邊緣等）纏在一起。	DEEBOT 將嘗試各種方式來釋放自己。如果嘗試失敗，請手動移除障礙物並重新啟動。
		DEEBOT 可能會卡在入口高度相似的家具的。	請透過 ECOVACS HOME 應用程式抬起家具、設定屏障或設定虛擬邊界。
		DEEBOT 被困在一個狹窄的區域。	清潔家居、設定屏障或透過 ECOVACS HOME 應用程式設定虛擬邊界。

編號	故障	可能的原因	溶液
9	在清潔過程中，DEEBOT 可能會遇到路線混亂、移動偏斜、同一位置重複清潔以及缺少小區域等問題。（如果有大片區域暫時未有清潔，DEEBOT 會自動清潔漏掉的區域。有時 DEEBOT 會進入已打掃過的房間，可能不會重複打掃，但會發現任何遺漏的區域。	放置在地面上的電線和拖鞋等物件會阻擋 DEEBOT。	清潔前，請盡量整理地上散落的電線、拖鞋等物品。如果清潔過程中遺漏了任何區域，DEEBOT 會自動更正。請不要干擾（例如移動 DEEBOT 或阻塞其路線）。
		當 DEEBOT 爬上台階、門檻和門欄時，驅動輪可能會在地面上打滑，會影響其對成個家居環境的判斷。	建議關閉受影響範圍的門並單獨清潔。清潔後，DEEBOT 將返回其起點。
		在新打蠟或拋光的地板以及光滑的瓷磚上，驅動輪及地板之間的摩擦可能會減少。	請等待蠟面乾後再清潔。
		由於主頁布局的變化，DEEBOT 無法進入某些區域。	整理您的房屋，以確保 DEEBOT 可以進入要清潔的區域。
10	遙距控制延遲。	Wi-Fi 訊號欠佳，導致影片加載速度緩慢。	在 Wi-Fi 訊號良好的區域使用 DEEBOT。
11	返回 OMNI 基站之後，DEEBOT 不會清空垃圾箱。	ECOVACS HOME 應用程式中的自動清空功能尚未開啟。	開啟 ECOVACS HOME 應用程式中的自動清空功能。
		手動將 DEEBOT 移回基站不會觸發自動清空功能。	建議讓 DEEBOT 自行返回 OMNI 基站。請不要手動移動它。
		在勿擾模式下，DEEBOT 返回 OMNI 基站之後不會清空灰塵。	關閉 ECOVACS HOME 應用程式中的勿擾模式或手動開始清空灰塵。
		該站檢測到空箱效率降低。	根據 [ 定期維護 ] 部分更換塵袋，並關閉集塵艙。如果 App 提示塵袋未滿，您可以將其放回原處。
		檢查塵盒是否已滿並導致堵塞。	根據 [ 定期維護 ] 部分清潔塵盒。
		假奴排除上述可能的原因，則基站的組件可能異常。	請聯絡客戶服務部以尋求幫助。

編號	故障	可能的原因	溶液
12	自動清空不成功。	該站檢測到空箱效率降低。	根據 [ 定期維護 ] 部分更換塵袋，並關閉集塵艙。如果 App 提示塵袋未滿，您可以將其放回原處。
		塵盒的出口被異物堵塞。	取下塵盒並清除插座上的異物。
13	集塵艙的內側較為骯髒。	細小顆粒穿過塵袋並積聚於集塵艙的內側。	清潔集塵艙的內側。
		塵袋損壞。	檢查並更換塵袋。
		塵袋未正確安裝。	請正確安裝塵袋。
		集塵艙外蓋未關閉。	請檢查集塵艙外蓋是否已正確關閉。
14	DEEBOT 工作時發生粉塵洩漏。	塵盒的出口被異物堵塞。	取下塵盒並清除插座上的異物。
15	滾輪地拖沒有旋轉。	滾輪地拖未正確安裝。	根據 [ 定期維護 ] 部分妥善安裝滾輪地拖。
		滾輪地拖被異物堵塞。	根據 [ 定期維護 ] 部分妥善清楚及安裝滾輪地拖。
16	驅動輪卡住了。	驅動輪因異物而被纏住或卡住。	轉動並按下驅動輪以檢查是否有任何異物包裹或阻塞。如果發現任何異物，請立即清潔。如果此問題仍然存在，請聯絡客戶服務部以尋求幫助。

編號	故障	可能的原因	溶液
17	拖布清洗托盤已裝滿水，無法清空。語音提示報告拖布清洗托盤故障。	污水箱未妥善安裝。	輕敲污水箱以確保它已妥善安裝。
		污水箱中的密封塞安裝不正確。	確保兩個密封塞安裝正確。
		拖布清洗托盤未正確安裝。	檢查並確保拖布清洗托盤安裝正確。
		拖布清洗托盤底座變得骯髒。	拆下拖布清洗托盤底座並用水清洗。
		檢查拖布清洗托盤底座沒有水時，浮波是否卡住。	取出拖布清洗托盤，將浮波放回原位。
		OMNI 基站無法正常排水。	把 DEEBOT 放在基站。確保它正在充電後，按兩下  。如果問題仍然存在，請聯絡客戶服務部以尋求幫助。
		拖布清洗托盤吸口被異物堵塞。	確保拖布清洗托盤吸口沒有異物。
		嘗試上述所有解決方案之後，語音提示仍然存在。	關閉和開啟基站的電源。如果此問題仍然存在，請聯絡客戶服務部以尋求幫助。
18	污水箱故障或頻繁自動清洗。	污水箱裝滿灰塵。	取出並清空污水箱，然後沖洗並重新安裝。如果此問題仍然存在，請聯絡客戶服務部以尋求幫助。
		滴水盤裝滿灰塵。	取出並清空滴水盤，然後沖洗並重新安裝。如果此問題仍然存在，請聯絡客戶服務部以尋求幫助。

如果建議的解決方案後問題仍然存在，請聯絡我們的客戶服務部以尋求幫助。

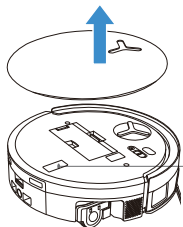
## 技術規格

型碼	DEX99-1		
額定輸入值	16.4 V === 3 A	快速充電輸入	16.4 V === 9.5 A
充電時間	約 4.0 個小時		
基站型號	CH24C0		
額定輸入值	220-240V ~ 50-60 Hz		
額定充電輸出	16.4 V === 3 A	快速充電輸出 (短時間)	16.4 V === 9.5 A
額定輸入電流 (充電)	1.5 A	電源 (清空)	650 W
功率 (熱水清洗地拖)	2200W		
頻帶	2400-2483.5 MHz		
網絡待機功率	小於 2.00 W		

無線模組的輸出功率小於 100 mW。

注意：為了不斷改進產品，技術和設計規範可能會發生變化。

探索更多配件 <https://www.ecovacs.com>。



請使用手機鏡頭掃描 QR 碼並獲取使用者指南。





**Ecovacs Home Service Robotics Co., Ltd.**  
No.518 Songwei Road, Wusongjiang Industry Park, Guoxiang  
Street, Wuzhong District, Suzhou, Jiangsu, China

451-24A3-1016